

ZEPHYR SWIVEL-TRUCK LOW-HEADROOM TROLLEY HOISTS

CAPACITIES

1/4 to 6 Tons

LIFT

8 Feet Standard

**MINIMUM
RADIUS CURVE**

21 to 48 in.

OPTIONSSpark & Corrosion Resistance
Clean Room

Chester Zephyr swivel-truck, low-headroom trolley hoists maintain the absolute minimum distance between the bottom of the runway beam and the hook saddle in the uppermost position, making them well suited for use in tight spaces. Hoists are available in capacities ranging from 1/4 to 6 tons with either plain or hand-gearred trolleys.

These Zephyr hoists combine the benefits of the Chester swivel truck trolley design with a compact construction. The units also incorporate the same heavy-duty steel components common to our Zephyr product line to provide the ruggedness and durability required for your application.

Zephyr swivel-truck, low-headroom trolley hoists are designed to traverse tight curves without binding or scraping and, due to their compact design, runways can be built closer to walls or projections. With extremely low headroom, these hoists are ideal for existing structures with low ceilings and as well as new construction where low ceilings are required. They are also ideal for patented monorail applications where minimum headroom is required with interlocks, turntables or switches.

Swivel-truck, low-headroom Zephyr hoists are adaptable to most monorail systems as well as other types of rails. Units are available with track clamps, load limiters, chain containers and an assortment of other options including spark and corrosion resistance, as required.



◀ STANDARD MODEL

SPARK-RESISTANT OPTIONS

**SOLID BRONZE HOOK, BOTTOM BLOCK,
BRAKE RATCHET AND TROLLEY WHEELS**

STAINLESS STEEL LOAD CHAIN

**ALUMINUM OR STAINLESS STEEL
HAND CHAIN**

CORROSION-RESISTANT OPTIONS

SPECIAL CORROSION-RESISTANT FINISHES

Created specifically for operation in salt-laden
or other corrosive environments.

CLEAN ROOM OPTIONS

STAINLESS STEEL COMPONENTS

**GREASE-TIGHT ENCLOSURE WITH
FOOD-GRADE LUBRICANT**

FOOD-GRADE EPOXY FINISH

SPECIFICATIONS

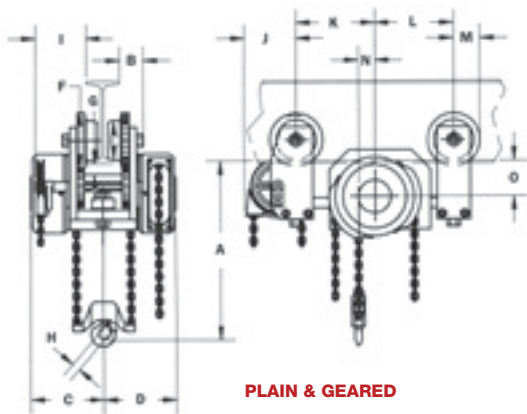
Capacity (short tons)	Catalog Number		Standard Lift (ft.)	Minimum Radius Curve (in.)	Minimum Beam Size *	Distance from Beam to Hook Saddle (in.)	Chain Pull to Lift Full Load (lbs.)	Chain Overhauled to Lift Load One Foot (ft.)	Weight (lbs.)	
	Plain Trolley	Gearred Trolley							Net	Gross
1/4	1321 - 1/4	1322 - 1/4	8	21	S5" x 10.0#	6-3/16	17	33	127	144
1/2	1321 - 1/2	1322 - 1/2	8	21	S5" x 10.0#	6-3/16	35	33	127	144
1	1321 - 1	1322 - 1	8	21	S5" x 10.0#	6-3/16	70	33	127	144
1-1/2	1321 - 1-1/2	1322 - 1-1/2	8	30	S6" x 12.5#	6-3/4	57	66	245	267
2	1321 - 2	1322 - 2	8	30	S6" x 12.5#	6-3/4	76	66	251	270
3	1321 - 3	1322 - 3	8	42	S8" x 18.4#	8-1/4	42	170	345	375
4	1321 - 4	1322 - 4	8	42	S8" x 18.4#	9-1/4	58	170	350	380
5	1321 - 5	1322 - 5	8	48	S10" x 25.4#	9-15/16	73	170	466	496
6	1321 - 6	1322 - 6	8	48	S10" x 25.4#	9-15/16	90	170	466	496

Beam size and curve radius must always be specified when ordering.

* Minimum beam for wheel clearance only.

Customer must verify their beam is adequate for the applied loading.

ZEPHYR SWIVEL-TRUCK LOW-HEADROOM TROLLEY HOISTS



MAXIMUM FLANGE WIDTHS

Capacity (tons)	Maximum Flange Width And Thickness FOR STRAIGHT TRACK	Maximum Flange Width For MINIMUM RADIUS TRACK
1/4	5-3/8" W. x 1/2" Thk.	3-3/8" W. x 1/2" Thk.
1/2	5-3/8" W. x 1/2" Thk.	3-3/8" W. x 1/2" Thk.
1	5-3/8" W. x 1/2" Thk.	3-3/8" W. x 1/2" Thk.
1-1/2	6" W. x 5/8" Thk.	4" W. x 1/2" Thk.
2	6" W. x 5/8" Thk.	4" W. x 1/2" Thk.
3	6" W. x 5/8" Thk.	5-7/8" W. x 5/8" Thk.
4	6" W. x 5/8" Thk.	5-7/8" W. x 5/8" Thk.
5	8" W. x 7/8" Thk.	7-7/8" W. x 7/8" Thk.
6	8" W. x 7/8" Thk.	7-7/8" W. x 7/8" Thk.

DIMENSIONS

Capacity (tons)	Dimensions (In.)															
	A	B	C	D	E	F	Plain G	Geared G	H	I*	J*	K	L	M	N	O
PLAIN & GEARED TROLLEY HOIST																
1/4	6-3/16	2	6-9/16	6-9/16	3-3/4	5	7/8	7/8	31/32	4-11/16	3-3/4	7-1/4	6-1/2	2-1/2	1-3/8	2-15/16
1/2	6-3/16	2	6-9/16	6-9/16	3-3/4	5	7/8	7/8	31/32	4-11/16	3-3/4	7-1/4	6-1/2	2-1/2	1-3/8	2-15/16
1	6-3/16	2	6-9/16	6-9/16	3-3/4	5	7/8	7/8	31/32	4-11/16	3-3/4	7-1/4	6-1/2	2-1/2	1-3/8	2-15/16
1-1/2	6-3/4	2-3/16	8-11/16	8-11/16	4-1/2	6	5/8	5/8	1-1/8	7-3/16	6-1/4	11-3/8	7-5/8	3	3	1-7/8
2	6-3/4	2-3/16	8-11/16	8-11/16	4-1/2	6	5/8	5/8	1-1/8	7-3/16	6-1/4	11-3/8	7-5/8	3	3	1-7/8
3	8-1/4	2-9/16	9-7/8	9-7/8	6-3/8	8	15/16	15/16	1-11/32	8-1/8	6-1/8	11-9/16	7-11/16	4	3	3-7/16
4	9-1/4	2-9/16	9-7/8	9-7/8	6-3/8	8	15/16	15/16	1-11/32	8-1/8	6-1/8	11-9/16	7-11/16	4	3	3-7/16
5	9-15/16	2-13/16	10-1/8	10-1/8	7-3/16	9	7/8	7/8	1-11/16	8-1/2	6-15/16	11-9/16	8-13/16	4-1/2	3	3-7/8
6	9-15/16	2-13/16	10-1/8	10-1/8	7-3/16	9	7/8	7/8	1-11/16	8-1/2	6-15/16	11-9/16	8-13/16	4-1/2	3	3-7/8
PLAIN & GEARED TROLLEY HOIST, SPARK-RESISTANT																
1/4	6-13/16	2	6-9/16	6-9/16	3-3/4	5	7/8	7/8	31/32	4-11/16	3-3/4	7-1/4	6-1/2	2-1/2	1-3/8	2-15/16
1/2	6-13/16	2	6-9/16	6-9/16	3-3/4	5	7/8	7/8	31/32	4-11/16	3-3/4	7-1/4	6-1/2	2-1/2	1-3/8	2-15/16
1	6-13/16	2	6-9/16	6-9/16	3-3/4	5	7/8	7/8	31/32	4-11/16	3-3/4	7-1/4	6-1/2	2-1/2	1-3/8	2-15/16
1-1/2	7-7/16	2-3/16	8-11/16	8-11/16	4-1/2	6	5/8	5/8	1-1/8	7-3/16	6-1/4	11-3/8	7-5/8	3	3	1-7/8
2	7-7/16	2-3/16	8-11/16	8-11/16	4-1/2	6	5/8	5/8	1-1/8	7-3/16	6-1/4	11-3/8	7-5/8	3	3	1-7/8
3	9-9/16	2-9/16	9-7/8	9-7/8	6-3/8	8	15/16	15/16	1-11/32	8-1/8	6-1/8	11-9/16	7-11/16	4	3	3-7/16
4	10-11/16	2-9/16	9-7/8	9-7/8	6-3/8	8	15/16	15/16	1-11/32	8-1/8	6-1/8	11-9/16	7-11/16	4	3	3-7/16

* Geared units only.
 Customer must take into consideration flange width and thickness. Each unit is set for a specified flange width and is not adjustable.
 Dimensions shown are accurate for any "S" or "WF" beam.
 Flat tread wheels (not shown) supplied for "WF" applications.
 Curve radius must always be specified when ordering.
 Hoists for wider flange widths than illustrated above may be possible. Consult factory.



CUSTOM-BUILT CHESTER ZEPHYR CLEAN-ROOM. SWIVEL-TRUCK. LOW-HEADROOM TROLLEY HOIST WITH EXTENDED HANDWHEEL IN USE AT A FOOD MANUFACTURING FACILITY.