

**Flat scissor lifting table
model HTF-G
SILVERLINE**

Capacity 1000 kg

For the professional lifting and handling of loads within a warehouse environment.

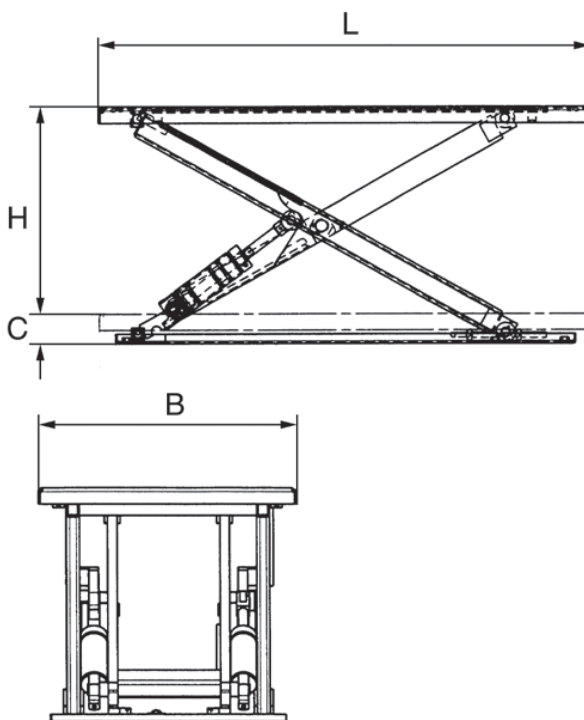
Features

- Extremely low-profile design reducing cost and effort for a pit-installation.
- The ramp allows loading the platform directly with a pallet truck or trolley.
- Safe operation due to push-button for up/down in dead man's control, as well as emergency stop.
- Overload protection by pressure control valve.
- Integrated pipe burst valve and mechanical rests safe maintenance and operation.
- According to EN 1570-1 and all UVV safety regulations.



Technical data model HTF-G

Model	HTF-G
Art.-No.	040047380
Lifting capacity, t	1.0
Platform length L, m	1.45
Platform width B, m	1.14
Overall height C, mm	82
Lift H, m	0.76
Lifting time, sec.	18
Motor power, kW	0.75
Weight, kg	250



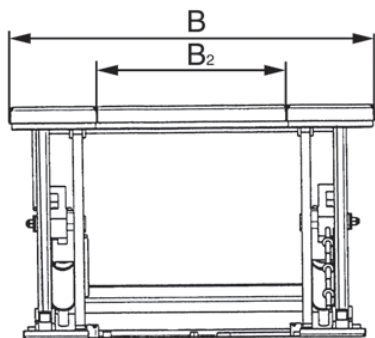
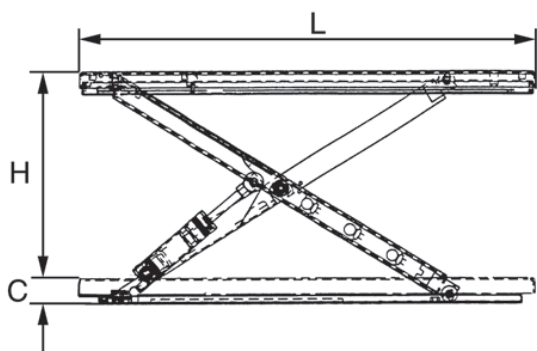
**Flat scissor lifting table
model HTF-U
SILVERLINE**

Capacity 1000 kg

For the professional lifting and handling of loads within a warehouse environment.

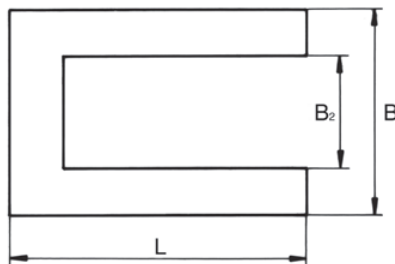
Features

- Extremely low-profile design lowering the cost and effort for a pit installation.
- U-design for direct access of industrial trucks.
- Safe operation due to push-button for up/down in dead man's control, as well as emergency stop.
- Overload protection by pressure control valve.
- Integrated pipe burst valve and mechanical rests safe maintenance and operation.
- According to EN 1570-1 and all UUV safety regulations.



Technical data model HTF-U

Model	HTF-U
Art.-No.	040047381
Lifting capacity, t	1.0
Platform B2, mm	585
Platform length L, m	1.45
Platform width B, m	1.14
Overall height C, mm	80
Lift H, m	0.76
Lifting time, sec.	18
Motor, kW	0.75
Weight, kg	235



**Handling table
model HTH-E
SILVERLINE**

Capacity 500 - 3000 kg

For the professional lifting and handling of heavy loads and palletized goods at workplaces

Features

- Smooth hydraulic ram action of working height for ergonomic working conditions.
- Safe operation due to push-button for up/down in dead man's control, as well as emergency stop.
- Overload protection by pressure control valve.
- Integrated pipe burst valve and mechanical rests safe maintenance and operation.
- According to EN 1570-1 and all UVV safety regulations.



Technical data model HTH-E SILVERLINE

Model	HTH-E	HTH-E	HTH-E	HTH-E
Art.-No.	040049470	040049471	040049472	040049473
Lifting capacity, t	0.5	1.0	2.0	3.0
Platform length L, m	1.3	1.3	1.3	1.3
Platform width B, m	0.8	0.8	0.8	0.8
Overall height C, mm	190	190	190	220
Lift H, m	0.82	0.82	0.82	0.80
Lifting time, sec.	15.0	25	40	26
Motor, kW	0.75	0.75	0.75	1.50
Weight, kg	160	220	280	320

