

Hand pallet truck with electric drive model EGU 15N JOKER

Capacity 1500 kg

Ideal for the internal transporting of palletised goods on even ground, covering short distances.

Compact dimensions and easy handling turn the EGU 15N JOKER into a real alternative to a standard hand pallet truck. Electric controls and the powerful motor ensure a finely metered and rapid start.

A high performance hydraulic pump guarantees a smooth lifting of the load.

Features

- Safety control handle with the functions:
Lifting - driving - lowering.
- Lowering speed can be finely metered for sensitive lowering of the load.
- Pressure relief valve as protection against overload.
- Maintenance-free motor and batteries.
- Quick charging at every 230V power socket due to integrated battery charger.
- Strong DC middle-motor with electromagnetic brake.
- Battery charge indicator
- Entry rollers facilitate entry into bottom-boarded pallets.

Scope of delivery

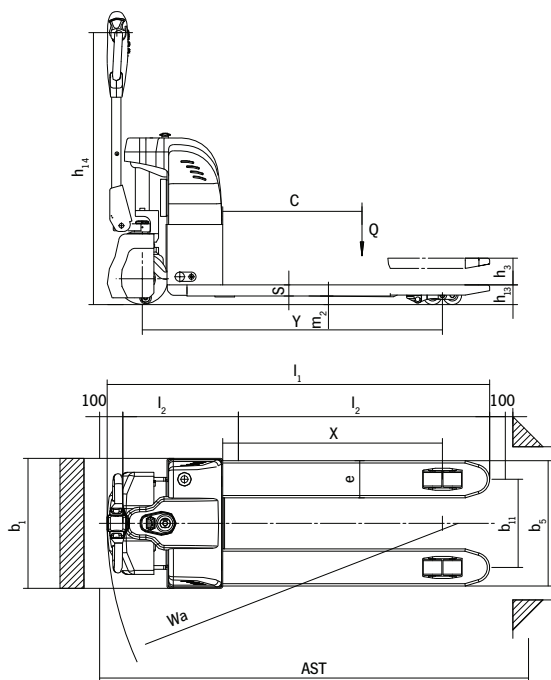
- Maintenance free lead-batteries 2 x 12V/40 Ah and integrated battery charger.



Technical data model EGU 15N JOKER

Model	EGU 15N JOKER
Art.-No.	192008984
Actuation	electric
Capacity, kg	1500
Load center c, mm	600
Wheelbase Y, mm	1279
Weight (with battery), kg	165
Tyre type ¹	PUR/PUR
Steering rollers, mm	220x70
Load rollers, mm	80x70
Number of wheels/load rollers (x=driven)	2+1x/4
Stroke h3, mm	115
Height of control handle min./max. h14, mm	850/1295
Fork height lowered h13, mm	85
Overall length L1, mm	1666
Length incl. apron L2, mm	516
Overall width b1, mm	560
Fork height s, mm	48
Fork width e, mm	160
Fork length l, mm	1150
Outside dimension of forks b5, mm	540
Ground clearance m2, mm	37
Aisle width pallet Ast, mm	1961
Turning circle radius Wa, mm	1507
Actuation	manual-hydraulic
Travel speed with/without load, m/s	4.2/4.6
Lowering speed with/without load, m/s	metered
Gradient with/without load, m/s	4/10
Service brake	electric
Drive motor rating S2 60 min, kW	0.45
Battery	starter
Battery voltage, V/Ah	2x 12/40
Battery weight, kg	30
Type of control	MOSFET

¹ PUR... Polyurethane





Electric pallet truck model EGU PS 15

Capacity 1500 kg

Electrical drive, electrical lifting

Ideal for the transportation of palletized goods within a warehouse environment. Due to the extremely small turning circle it is also ideal for working on ramps or taking along on a lorry.

The powerful motor allows fast operation.

Features

- 80Ah Semi-Traction battery for long working cycles.
- Creep speed button for pin-point work in confined spaces.
- Reliable impulse control for stepless regulation of driving speed.
- Integrated battery charger for charging on a 230V plug socket.
- Digital display for battery status

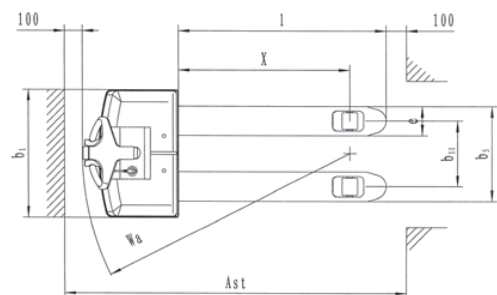
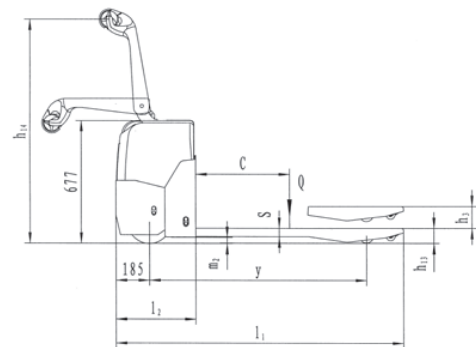
Scope of delivery

- Battery and integrated charger included

Technical data model EGU PS 15

Model	EGU PS 15
Art.-No.	040052452
Actuation	electric
Operation	pedestrian
Capacity, kg	1500
Load center c, mm	600
Wheelbase Y, mm	1217
Weight (with battery), kg	286
Tyre type ¹	PUR/PUR
Steering rollers l x d, mm	252 x 89
Load rollers l x d, mm	84 x 70
Number of wheels/load rollers (x=driven)	1x +2/4
Stroke h3, mm	120
Fork height max. h15, mm	205
Height of control handle max. h14, mm	1235
Fork height lowered h13, mm	85
Overall length L1, mm	1590
Length incl. apron L2, mm	440
Overall width B, mm	700
Fork height s, mm	47
Fork width e, mm	160
Fork length l, mm	1150
Outside dimension of forks b1, mm	520
Aisle width pallet Ast, mm	1944
Turning circle radius Wa, mm	1480
Travel speed with/without load, m/s	5.0/5.2
Lifting speed with/without load, m/s	0.27/0.35
Lowering speed with/without load, m/s	0.42/0.27
Gradient with/without load, m/s	5/8
Service brake	electric
Drive motor rating, kW	1.0
Hoist motor rating, kW	0.8
Battery	semi-traction
Battery voltage, capacity at 20 h, V/Ah	2 x 12/80
Type of control	Curtis

¹ PUR... Polyurethane





Electric pallet truck model EGU PS 22AC

Capacity 2200 kg

Electrical drive, electrical lifting

Ideal unit for working within a warehouse environment for long haul and medium to high work load applications. Also ideal for working on ramps or on a lorry.

Features

- Compact and agile.
- Low maintenance A.C. drive technology.
- 210Ah traction battery for long working cycles.
- Creep speed button for pin-point work in confined spaces.
- Reliable impulse control for stepless regulation of driving speed.
- Digital display for battery status

Scope of delivery

- Battery and external charger include

Technical data model EGU PS 22AC and model EGU PS 22AC FP

Model	EGU PS 22AC	EGU PS 22AC FP
Art.-No.	040052450	040052451
Actuation	electric	electric
Operation	pedestrian	driver platform
Capacity, kg	2200	2200
Load center c, mm	600	600
Wheelbase Y, mm	1368	1368
Weight (with battery), kg	512	525
Tyre type ¹	PUR/PUR	PUR/PUR
Steering rollers lxd, mm	230x75	230x75
Load rollers lxd, mm	84x70	84x70
Number of wheels/load rollers (x=driven)	1x +2/4	1x +2/4
Stroke h3, mm	120	120
Fork height max. h15, mm	205	205
Height of control handle max. h14, mm	1323	1323
Fork height lowered h13, mm	85	85
Overall length L1, mm	1815	1965
Fork height s, mm	60	60
Fork width e, mm	160	160
Fork length l, mm	1150	1150
Outside dimension of forks b1, mm	540	540
Aisle width pallet Ast, mm	2305	2305
Turning circle radius Wa, mm	1640	1640
Travel speed with/without load, m/s	5.8/6.0	5.8/6.0
Lifting speed with/without load, m/s	0.19/0.35	0.19/0.35
Lowering speed with/without load, m/s	0.30/0.27	0.30/0.27
Gradient with/without load, %	9/15	9/15
Service brake	electric	electric
Drive motor rating, kW	1.0 (AC)	1.0 (AC)
Hoist motor rating, kW	0.8	0.8
Battery	traction	traction
Battery voltage, capacity at 20 h, V/Ah	24/210	24/210
Type of control	Curtis	Curtis

¹ PUR... Polyurethane