

Electric pedestrian stacker model EGV PSL

Capacity 1000 - 1200 kg,
fork height max. 3500 mm

Ideal for stacking and transportation of palletised goods within a warehouse environment for short haul and medium work load applications.

Features

- Multifunctional control handle for easy handling.
The electric pallet lift truck will automatically be slowed down if the control handle is no longer in the users hand.
- Reliable impulse control for stepless regulation of drive speed.
- Compact electric-hydraulic lifting device and overload protection.
- Finely metered lowering of load through pressure relief valve and adjustable lowering valve.
- Mast welded from precision profiles, fork carriage with maintenance free guide rollers.
- Solid frame with one drive wheel and two load and two guide rollers.

Scope of delivery

- Battery and battery charger included.



Electric pedestrian stacker model EGV PSL 1016 II

Capacity 1000 kg
fork height max. 1600 mm

New!

The revised edition of the model EGV PSL 1016 II is the ideal solution for indoor transportation and of palletized goods within a warehouse environment for short haul and medium work load applications.

Features

- The slim single mast and the laterally, ergonomic tiller ensure a free view onto the goods as in front of the stacker.
- The fork thickness of 60 mm enables an easier entrance inside pallets, while working in elevation.
- Easy maintenance – the convenient access opening at the bottom of the forklift allows an immediate disassembly of motor wheel, portal and tiller without lifting the machine.
- The reduced overall width of 794 mm improves the handling of goods in narrow spaces and corridors.
- Ultra-slow drive function enables exact driving in very tight spaces.



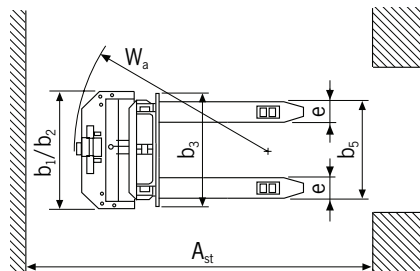
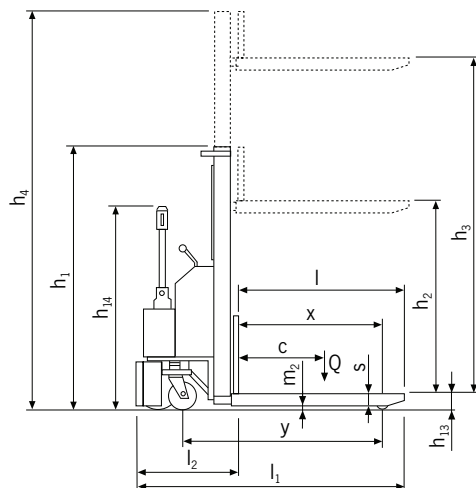
INFO

Specifications see page 299.

Technical data model EGV PSL

Model	EGV PSL 1016 II <i>new</i>	EGV PSL 1225	EGV PSL 1229	EGV PSL 1235
Art.-No.	192021784	040040503	040040504	040044421
Actuation	electric	electric	electric	electric
Operation	pedestrian	pedestrian	pedestrian	pedestrian
Capacity (up to 2.5 m lift), kg	1000	1200	1200	1200
Load center c, mm	600	600	600	600
Wheelbase y, mm	1165	1190	1190	1190
Weight (with battery), kg	363	481	496	531
Tyre type ¹	PUR/VG+PUR	PUR+VG/PUR	PUR+VG/PUR	PUR+VG/PUR
Steering rollers, mm	186x50+125x45	250x76+150x40	250x76+150x40	250x76+150x40
Load rollers, mm	82x70	82x70	82x70	82x70
Number of wheels/load rollers (x=driven)	1x+1/2	2+1x/2	2+1x/2	2+1x/2
Height, mast retracted h1, mm	1970	1780	1980	2250
Free lift h2, mm	1510	-	-	80
Stroke, mm	1510	2410	2810	3410
Height, mast extended h4, mm	1970	2985	3385	3915
Fork height max. h3, mm	1600	2500	2900	3500
Height of control handle max. h14, mm	1365	1390	1390	1390
Fork height lowered h13, mm	90	90	90	90
Overall length L1, mm	1675	1825	1825	1825
Length incl. apron L2, mm	522	675	675	675
Overall width b1/b2, mm	794	850	850	850
Fork height s, mm	60	70	70	70
Fork width e, mm	150	150	150	150
Fork length l, mm	1153	1150	1150	1150
Clearance fork tip-roller, x	365	365	365	365
Outside dimension of forks b5, mm	560	560	560	560
Ground clearance m2, mm	20	20	20	20
Aisle width pallet Ast, mm	2120	2075	2075	2075
Turning circle radius Wa, mm	1344	1460	1460	1460
Travel speed with/without load, km/h	3.7/4.3	4.0/5.0	4.0/5.0	4.0/5.0
Lifting speed with/without load, m/s	0.11/0.18	0.08/0.12	0.08/0.12	0.08/0.12
Lowering speed with/without load, m/s	0.18/0.18	0.4/0.1	0.4/0.1	0.4/0.1
Gradient with/without load, %	9/25	5/10	5/10	5/10
Service brake	electric	electric	electric	electric
Drive motor rating, kW	0.35	0.7	0.7	0.7
Hoist motor rating, kW	2.2	2.2	2.2	2.2
Battery	starter	starter	starter	starter
Battery charger, V/A	24/12	24/12	24/12	24/12
Battery voltage, V/Ah	24/70	24/92	24/92	24/92
Type of control	impulse	impulse	impulse	impulse

¹ PUR... Polyurethane, VG... Solid rubber



Electric pedestrian stacker model EGV PSH II

Capacity 1200 - 1600 kg,
fork height max. 5000 mm

The revised edition of the model range EGV PSH II is the professional solution for indoor transportation and stacking of palletized loads over longer distances and higher capacity utilization.

Features

- Multifunctional control handle with integrated drive switches and lifting and lowering functions directly on the control handle.
- Proportionally controllable lifting and lowering functions for better positioning of the loads.
- Compact overall dimensions, only 800 mm wide allows operations in narrow corridors.
- Ultra-slow drive function enables exact driving in very tight spaces.
- Drive and lifting speeds have been increased for this revised model.

Options

- Drivers platform
- Free lift
- Initial lift



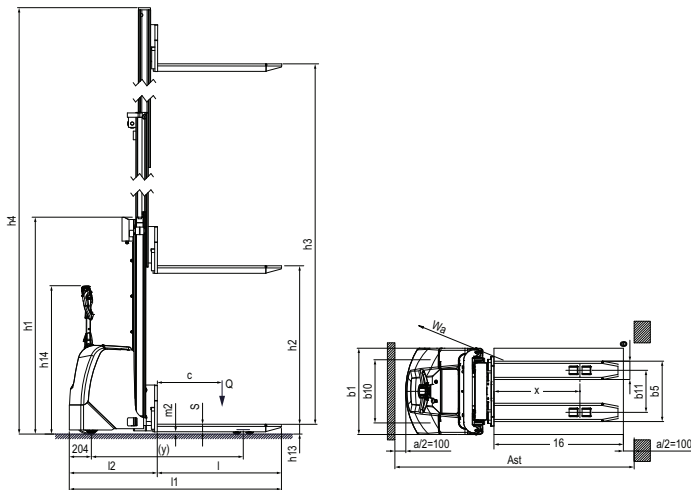
INFO

Battery and battery charger are to be ordered separately.

Technical data model EGV PSH 12 II

Model	EGV PSH 12-16 II	EGV PSH 12-25 II	EGV PSH 12-29 II	EGV PSH 12-35 II
Art.-No.	25412161	25412251	25412291	25412351
Actuation	electric	electric	electric	electric
Operation	pedestrian	pedestrian	pedestrian	pedestrian
Capacity (up to 2.5 m lift), kg	1200	1200	1200	1200
Load center c, mm	600	600	600	600
Wheelbase y, mm	1307	1307	1307	1307
Weight (with battery 180 Ah), kg	841	900	915	937
Tyre type ¹	PUR/VG+PUR	PUR/VG+PUR	PUR/VG+PUR	PUR/VG+PUR
Steering rollers, mm	250x101+100x38	250x101+100x38	250x101+100x38	250x101+100x38
Load rollers, mm	82x70	82x70	82x70	82x70
Number of wheels/load rollers (x=driven)	1x +2/4	1x +2/4	1x +2/4	1x +2/4
Height, mast retracted h1, mm	1965	1785	1987	2265
Free lift h2, mm	1510	-	-	80
Stroke, mm	1510	2410	2810	3410
Height, mast extended h4, mm	1965	2990	3392	3970
Fork height max. h3, mm	1600	2500	2900	3500
Height of control handle max. h14, mm	1390	1390	1390	1390
Fork height lowered h13, mm	90	90	90	90
Overall length L1, mm	1920	1920	1920	1920
Length incl. apron L2, mm	770	770	770	770
Overall width b1/b2, mm	800	800	800	800
Fork height s, mm	70	70	70	70
Fork width e, mm	150	150	150	150
Fork length l, mm	1150	1150	1150	1150
Outside dimension of forks b5, mm	560	560	560	560
Ground clearance, mm	20	20	20	20
Aisle width pallet Ast, mm	2169	2169	2169	2169
Turning circle radius Wa, mm	1550	1550	1550	1550
Travel speed with/without load, km/h	6/6	6/6	6/6	6/6
Lifting speed with/without load, m/s	0.12/0.17	0.12/0.17	0.12/0.17	0.12/0.17
Lowering speed with/without load, m/s	0.22/0.12	0.22/0.12	0.22/0.12	0.22/0.12
Gradient max. with/without load, %	5/10	5/10	5/10	5/10
Service brake	electric	electric	electric	electric
Drive motor rating, kW	1.2	1.2	1.2	1.2
Hoist motor rating, kW	3.2	3.2	3.2	3.2
Battery ²	PzS	PzS	PzS	PzS
Battery voltage, V/Ah	24/225-300	24/225-300	24/225-300	24/225-300
Battery weight, kg	270	270	270	270
Type of control	impulse	impulse	impulse	impulse

¹ PUR... Polyurethane, VG... Solid rubber
² PzS... Traction battery



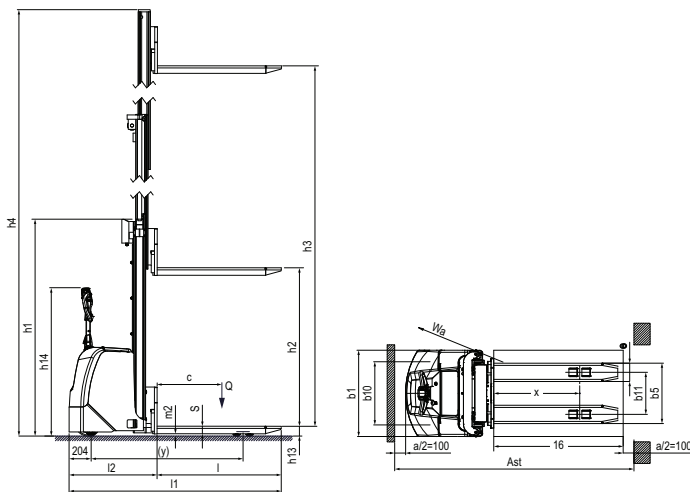
Technical data model EGV PSH 14 II and initial lift

Model	EGV PSH 14-45T II	EGV PSH 14-45TF II	EGV PSH 14-50T II	EGV PSH 14-25 IL II	EGV PSH 14-45 IL II
Art.-No.	25414453	25414455	25414503	25414257	25414457
Actuation	electric	electric	electric	electric	electric
Operation	pedestrian	pedestrian	pedestrian	pedestrian	pedestrian
Capacity (up to 2.5 m lift), kg	1400	1400	1400	1400	1400
Load center c, mm	600	600	600	600	600
Wheelbase y, mm	1370	1370	1370	1555	1555
Weight (with battery 180 Ah), kg	1190	1223	1229	1055	1232
Tyre type ¹	PUR/VG+PUR	PUR/VG+PUR	PUR/VG+PUR	PUR/VG+PUR	PUR/VG+PUR
Steering rollers, mm	250x101+100x38	250x101+100x38	250x101+100x38	250x101+100x38	250x101+100x38
Load rollers, mm	82x70	82x70	82x70	78x78	78x78
Number of wheels/load rollers (x=driven)	1x +2/4	1x +2/4	1x +2/4	1x +2/4	1x +2/4
Height, mast retracted h1, mm	2080	2089	2285	1765	2099
Free lift h2, mm	-	1470	-	-	-
Stroke, mm	4410	4410	5025	2410	4410
Height, mast extended h4, mm	5020	5029	5635	2970	5039
Fork height max. h3, mm	4500	4500	5115	2500	4500
Height of control handle max. h14, mm	1390	1390	1390	1390	1390
Fork height lowered h13, mm	90	90	90	90	90
Overall length L1, mm	1966	1966	1966	2110	2110
Length incl. apron	816	816	816	960	960
Overall width b1/b2, mm	800	800	800	800	800
Fork height s, mm	70	70	70	70	70
Fork width e, mm	170	170	170	200	200
Fork length l, mm	1150	1150	1150	1150	1150
Outside dimension of forks b5, mm	560	560	560	560	560
Ground clearance, mm	20	20	20	17/137	17/137
Aisle width pallet Ast, mm	2389	2389	2389	2446	2446
Turning circle radius Wa, mm	1613	1613	1613	1694	1694
Travel speed with/without load, km/h	6/6	6/6	6/6	5.5/6	5.5/6
Lifting speed with/without load, m/s	0.14/0.28	0.14/0.28	0.14/0.28	0.08/0.12	0.08/0.12
Lowering speed with/without load, m/s	0.34/0.40	0.34/0.40	0.34/0.40	0.34/0.40	0.34/0.40
Gradient max. with/without load, %	5/10	5/10	5/10	5/10	5/10
Service brake	electric	electric	electric	electric	electric
Drive motor rating, kW	1.2	1.2	1.2	1.2	1.2
Hoist motor rating, kW	3.2	3.2	3.2	3.2	3.2
Battery ²	PzS	PzS	PzS	PzS	PzS
Battery voltage, V/Ah	24/300 ³	24/300 ³	24/300 ³	24/225-300	24/225-300
Battery weight, kg	270	270	270	270	270
Type of control	impulse	impulse	impulse	impulse	impulse

¹ PUR... Polyurethane, VG... Solid rubber

² PzS... Traction battery

³ Unit only supplied with 300Ah battery



Technical data model EGV PSH 16 II

Model	EGV PSH 16-16 II	EGV PSH 16-25 II	EGV PSH 16-29 II	EGV PSH 16-35 II
Art.-No.	25416161	25416251	25416291	25416351
Actuation	electric	electric	electric	electric
Operation	pedestrian	pedestrian	pedestrian	pedestrian
Capacity (up to 2.5 m lift), kg	1600	1600	1600	1600
Load center c, mm	600	600	600	600
Wheelbase y, mm	1370	1370	1370	1370
Weight (with battery 180 Ah), kg	920	1025	1050	1090
Tyre type ¹	PUR/VG+PUR	PUR/VG+PUR	PUR/VG+PUR	PUR/VG+PUR
Steering rollers, mm	250x101+100x38	250x101+100x38	250x101+100x38	250x101+100x38
Load rollers, mm	82x70	82x70	82x70	82x70
Number of wheels/load rollers (x=driven)	1x +2/4	1x +2/4	1x +2/4	1x +2/4
Height, mast retracted h1, mm	1965	1765	1965	2265
Free lift h2, mm	1510	-	-	-
Stroke, mm	1510	2410	2810	3410
Height, mast extended h4, mm	1965	2970	3370	3970
Fork height max. h3, mm	1600	2500	2900	3500
Height of control handle max. h14, mm	1390	1390	1390	1390
Fork height lowered h13, mm	90	90	90	90
Overall length L1, mm	1944	1944	1944	1944
Length incl. apron L2, mm	795	795	795	795
Overall width b1/b2, mm	800	800	800	800
Fork height s, mm	70	70	70	70
Fork width e, mm	170	170	170	170
Fork length l, mm	1150	1150	1150	1150
Outside dimension of forks b5, mm	560	560	560	560
Ground clearance, mm	20	20	20	20
Aisle width pallet Ast, mm	2195	2195	2195	2195
Turning circle radius Wa, mm	1613	1613	1613	1613
Travel speed with/without load, km/h	6/6	6/6	6/6	6/6
Lifting speed with/without load, m/s	0.13/0.25	0.13/0.25	0.13/0.25	0.13/0.25
Lowering speed with/without load, m/s	0.31/0.38	0.31/0.38	0.31/0.38	0.31/0.38
Gradient max. with/without load, %	5/10	5/10	5/10	5/10
Service brake	electric	electric	electric	electric
Drive motor rating, kW	1.2	1.2	1.2	1.2
Hoist motor rating, kW	3.2	3.2	3.2	3.2
Battery ²	PzS	PzS	PzS	PzS
Battery voltage, V/Ah	24/225-300	24/225-300	24/225-300	24/225-300
Battery weight, kg	270	270	270	270
Type of control	impulse	impulse	impulse	impulse

¹ PUR... Polyurethane, VG... Solid rubber
² PzS... Traction battery

