

L10 Series Radio Remote Control

L10 Transmitter

The L10 Series is a 2-speed transmitter with eight buttons for control of 3-4 motions. FCC 310-320 Mhz AC models only. Each kit includes receiver, one or two transmitters, four batteries, strap, legend sheet for each transmitter, spare key, spare fuse kit, and instruction manual. This radio has programmable operation; contact Conductix-Wampfler for details.



P.N. 701L10002

Transmitter Specifications

- Very light weight 0.62 lb. (155g) with batteries
- Runs on two standard alkaline batteries
- Very low power consumption ensures long battery life
- Includes low power indicator
- Modulation: FM
- Internal antenna
- Jammed button detection
- Shock resistant

L10 Receiver



Receiver Specifications

- Multiple supply voltages:
AC Type: 48/110/220 plus or minus 10%, 50/60 Hz.
(Default 110 Selected)
- Independent common configuration for mixed control voltage applications
- Power-on/mainline contact
- Internal LED display of power and contact closure status
- Sensitivity: Approximately -105 dBm
- Pre-wired cable, 9 feet long (2.74m)
- Control relay rating:
10A @ 125 VAC; 5A @ 250 VAC; 8A @ 30 VAC
- Single shock mount designed for demanding mobile and industrial applications
- NEMA 4 (IP65)

L10 Radio Kit

The L10 Series Kit includes four (4) batteries, spare key, spare fuse kit, instruction manual, and a legend sheet for each transmitter. AC only.

Please Note:

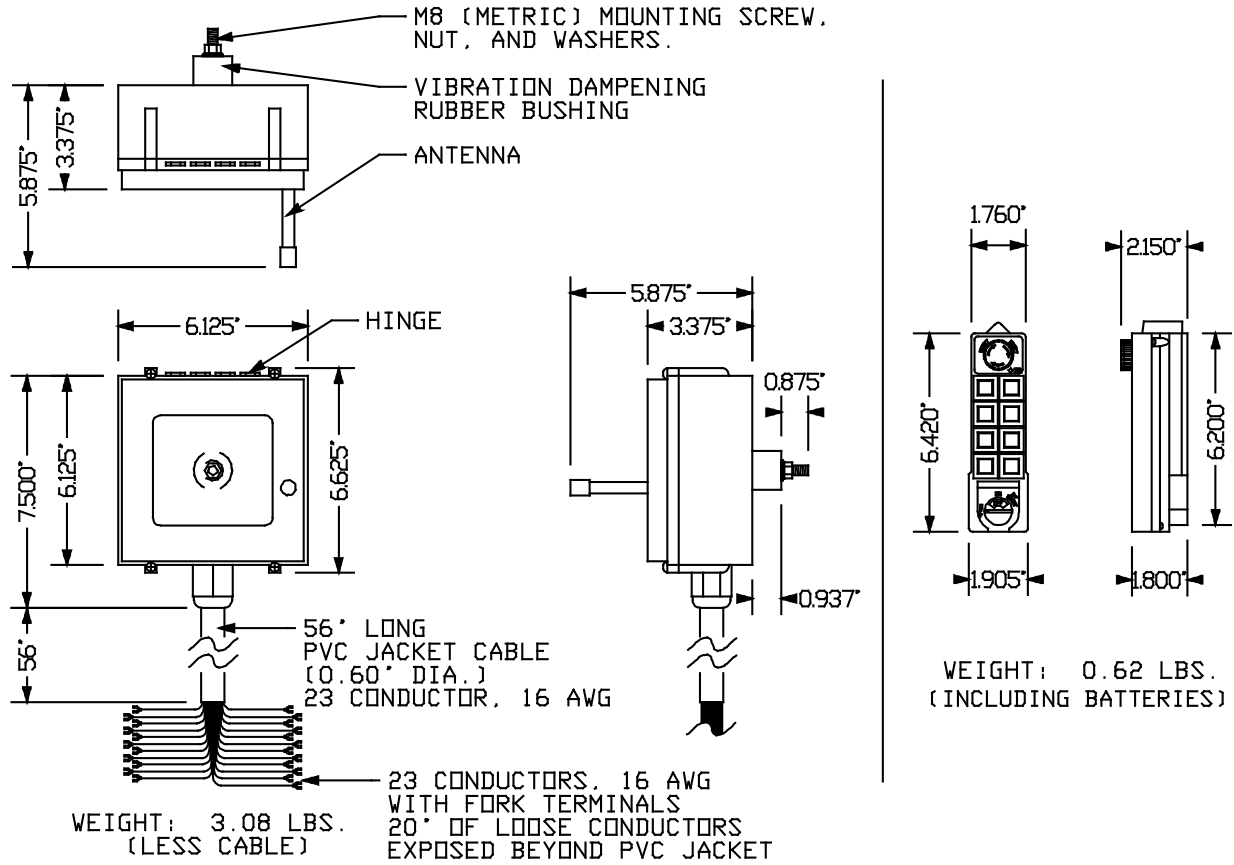
All transmitters will require the Serial Number for proper matching to receiver for programming.

L Series radios will also need Channel Number 0-45 specified at time of order.

Operation Description	No. of Transmitters	Part No.
Eight 2-speed buttons, E-stop, key switch, and On/Off Up to 4 motion two speed control with 0 to 2 programmable auxiliary outputs, alarm output, mainline output, and light output.	2	700DL10

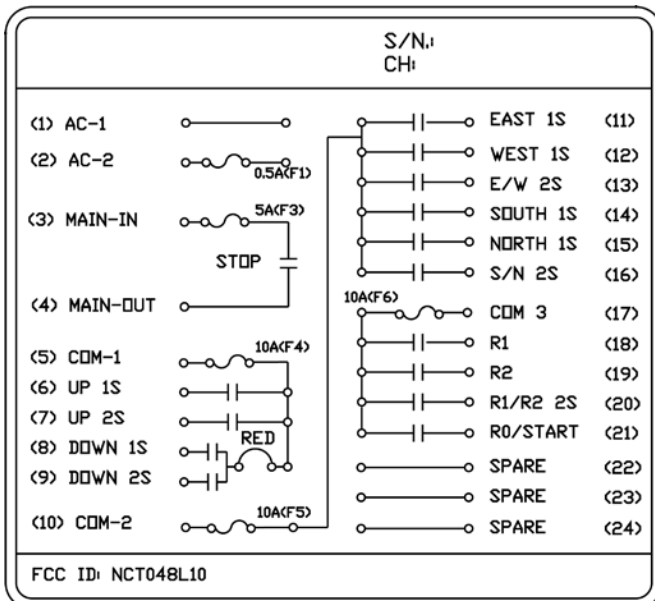
L10 Series Dimensions and Wiring Diagram

L10 Dimensions



Wiring Diagram

Default wiring diagram shown. Custom programming might alter relay outputs.



L12 Series Radio Remote Control

L12 Transmitter

The L12 Series is a 2-speed transmitter with twelve buttons for control of up to 5 motions. FCC 310-320 Mhz AC models only. Each kit includes receiver, one or two transmitters, four batteries, strap, legend sheet for each transmitter, spare key, spare fuse kit, and instruction manual. This radio has programmable operation; contact Conductix-Wampfler to discuss your application needs.



P.N. 701L12002

Transmitter specifications

- Very light weight; 1.2 lb (0.55 kg) with batteries
- Runs on 2 standard alkaline batteries
- Very low power consumption ensures long battery life
- Includes low power indicator
- Modulation: FM
- Jammed button detection
- Shock resistant

L12 Receiver



Receiver specifications

- Multiple supply voltages:
AC Type: 48/110/220, plus or minus 10%, 50/60 Hz.
(Default 110 Selected)
- Independent common configuration for mixed control voltage applications
- Power-on/mainline contact
- Internal LED display of power and contact closure status
- Sensitivity: Approximately -105 dBm
- Pre-wired with 6 feet (1.83m) of cable
- Control relay rating:
10A @125 VAC; 5A @ 250 VAC; 8A @ 30 VAC
- 4-point shock mount designed for demanding mobile and industrial applications
- NEMA 4 (IP65)

Please Note:

All transmitters will require the Serial Number for proper matching to receiver for programming.

L Series radios will also need Channel Number 0-45 specified at time of order.

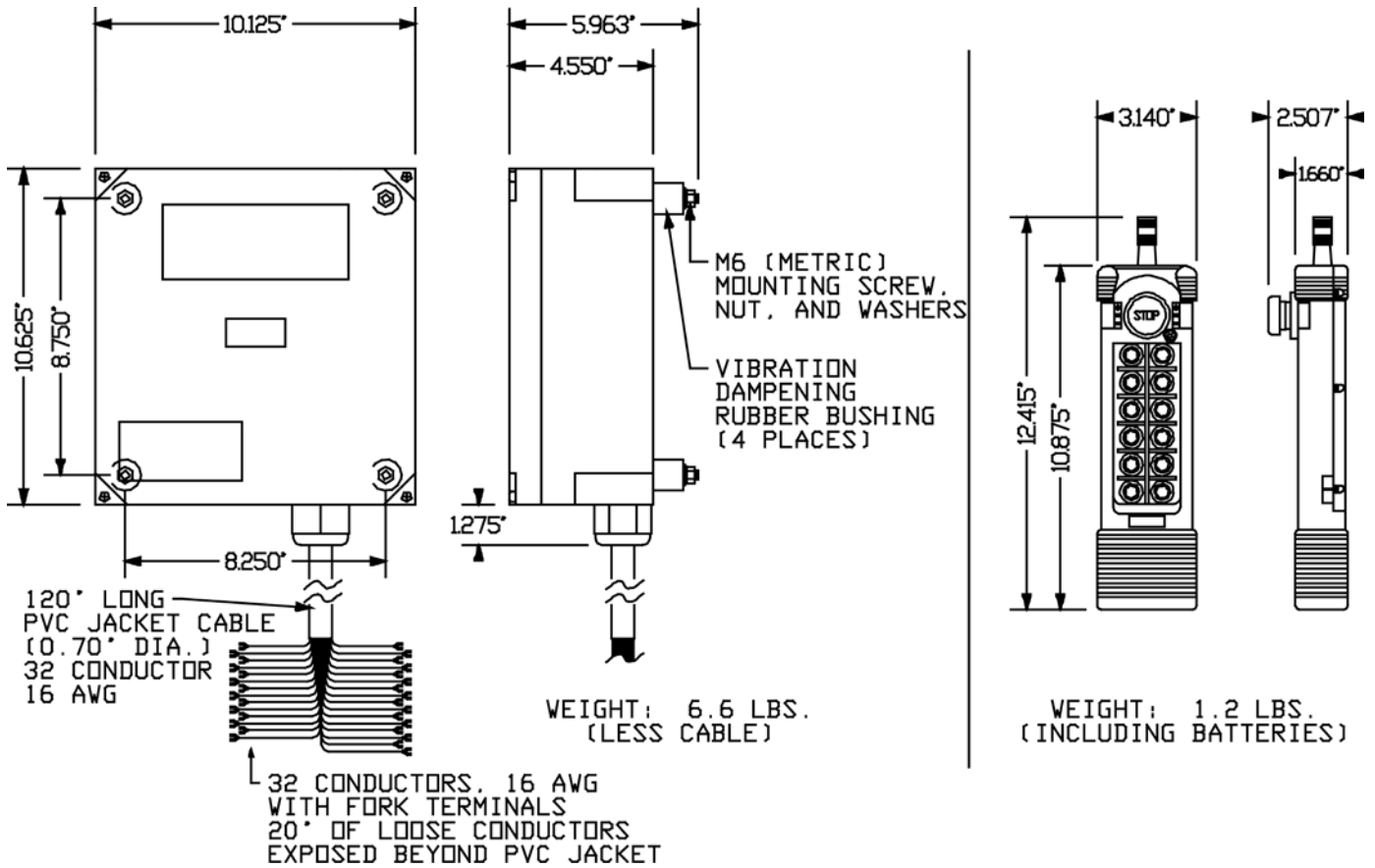
L12 Radio Kit

The L12 Series Kit includes six (6) batteries, spare key, spare fuse kit, instruction manual, and a legend sheet for each transmitter. AC only.

Operation Description	No. of Transmitters	Part No.
Twelve 2-Speed buttons, with E-Stop, Key Switch, and On/Off. Up to 5 motion two speed control with 2 to 7 programmable auxiliary outputs, alarm output, mainline output, and light output.	2	700DL12

L12 Series Dimensions and Wiring Diagram

Dimensions



Wiring Diagram

Note: Default wiring diagram shown. Custom programming might alter relay outputs.

