

K Series Radio Remote Controls



K-Series Radio Remote controls are a state-of-the-art radio control system. Check the many great features below and on Pgs. 17 through 22.

Specifications

- Operating Range: 330 feet (100m) - Up to ~1000 feet (300m) - depending on environment
- Frequency: 433.05 to 434.775 MHz, depending on operating channel
- Available Channels: 70
- Enclosure: Nylon with glass fiber, NEMA4 (IP65)
- Emission Power: Less than 10 mW, eight level adjustments
- Channel Spacing: 25 kHz
- FCC Part 15; no license required
- Emission Designator: 114KF1D

Safety Features

- Emergency Mushroom Switch (EMS or “E-Stop”) is Independently Certified EN-ISO 13849-1 Category 4.
- Dual Independent Micro-controllers
- Dual Mainline Relays Connected in Series (Each Independently Controlled)
- Current sensing jammed relay detection circuit.
- Double contact on EMS in Transmitter



Advanced Features

Remote Pairing

The transmitter can contact a receiver and “download” the system data via radio, allowing you to replace a lost or damaged radio without any additional tools.

Pitch and Catch Operation

Can be enabled allowing a single receiver to be safely operated by two different operators.

Auto-scanning

The Radio is factory programmed to choose between two channels depending upon which one is the clearest on every start, alternately the radio can scan all channels on site and find the clearest pair of channels to use.

Adjustable emissions power

Allows some range control of the radio and will reduce the possibility of unnecessary interference by adjacent radios.

Flexible Configuration

The radio can be factory configured to handle a variety of functions, such as:

- On/Off, Maintained or Momentary Buttons with or without interlocking
- Anti-Plugging and Multiple Speed Time Delays
- Magnet Operation Mode (one button to engage, two button to release)
- Additive and Make-before-Break (2-speed control)
- Independent Receiver and Transmitter Time outs (Power Off)

See Appendices I and II, Pgs. 26 to 28 for more information.

Please Consult the Factory for Even More Options!

K1 and K2 Series Radio Remote Controls

K1 and K2 Transmitter



K1 P.N. 52528
K2 P.N. 52529

Transmitter Features

- Antenna: Integrated/Internal
- 3 stage low power indicator
- Removable Key [For push button start, consult factory.]
- Power consumption: Less than 28mA
- Powered by four standard or rechargeable AA batteries

Please Note:

All transmitters will require the Serial Number for proper matching to receiver for programming.

*Default setting on Start/Alarm button is for the built-in alarm. Changing this setting or if Aux 1 is needed will disable the alarm output.

K Series radios will require Serial Number to be matched for easy out-of-the-box operation.

K1 and K2 Receiver



Receiver Features

- Integrated Horn/Alarm built into receiver
- Visible external power indicator
- Receiver has 2 meter (6 ft) pre-wired cable.
- Receiver features F-Style Antenna connector for easy antenna extension.
- Supply Voltages: DC: 12-24; AC: 24, 48, 110, and 220. 110V is the default. Please contact the Factory for part numbers for different supply voltages.

K1 Series Radio Kit - 110V*

The K1 Series Kit includes four (4) batteries, spare key, spare fuse kit, instruction manual, and a legend sheet for each transmitter. AC only.

Operation Description	No. of Transmitters	Part No.
Single speed, eight button transmitter with E-stop, key switch, and On/Off. Up to 4 motion single speed control with 0 to 2 programmable auxiliary outputs, alarm output, mainline output, and light output.	1	700SK1
	2	700DK1

K2 Series Radio Kit - 110V*

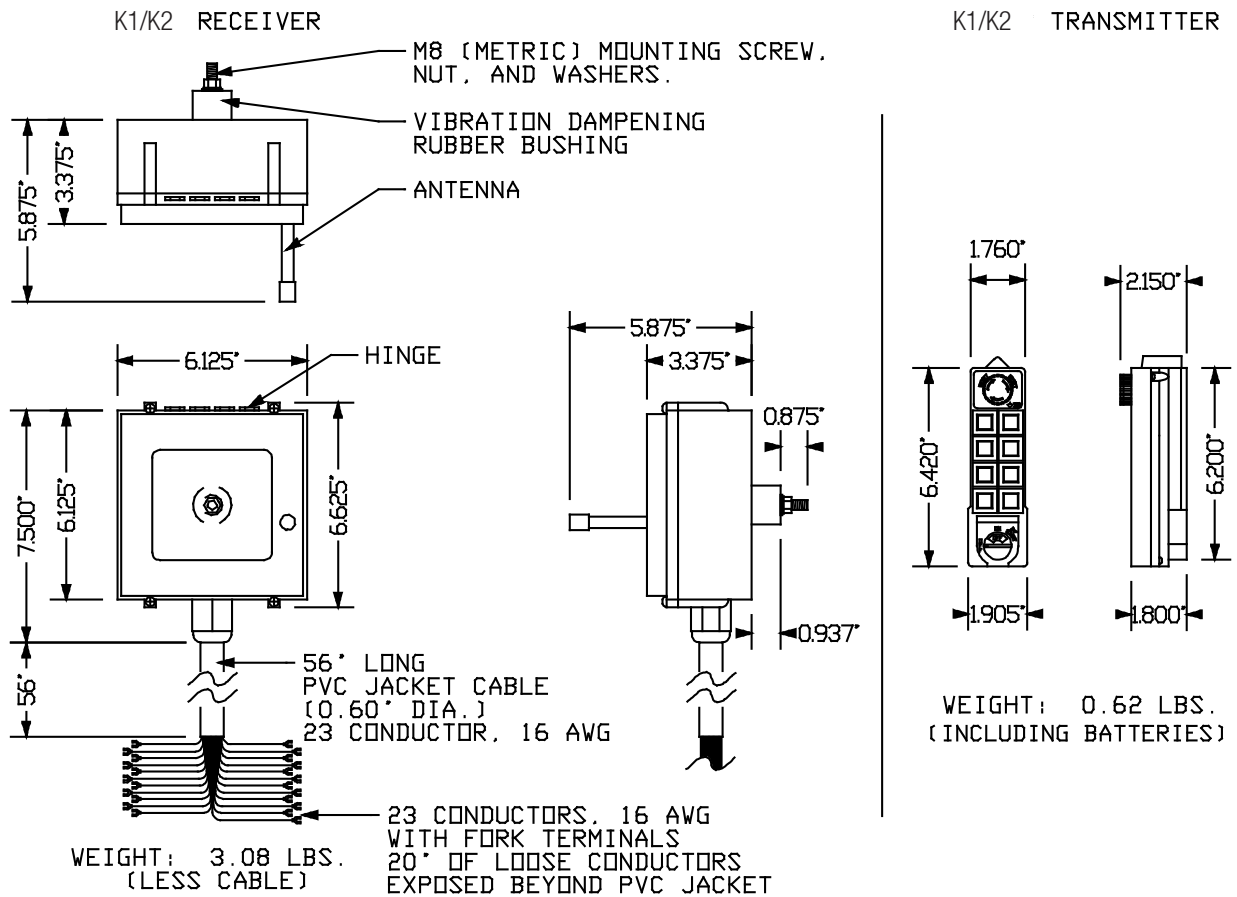
The K2 Series Kit includes four (4) batteries, spare key, spare fuse kit, instruction manual, and a legend sheet for each transmitter. AC only.

Operation Description	No. of Transmitters	Part No.
Dual speed, eight button transmitter with E-stop, key switch, and On/Off. Up to 4 motion two speed control with 0 to 2 programmable auxiliary outputs, alarm output, mainline output and light output.	1	700SK2
	2	700DK2

* Default Supply Voltage is 110V AC. Please contact factory for part numbers for different supply voltages: -DC, -48V, -220V

K1 and K2 Series Dimensions and Wiring Diagram

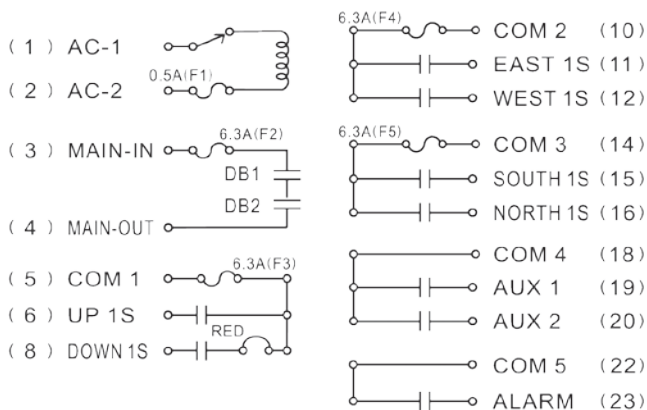
Dimensions



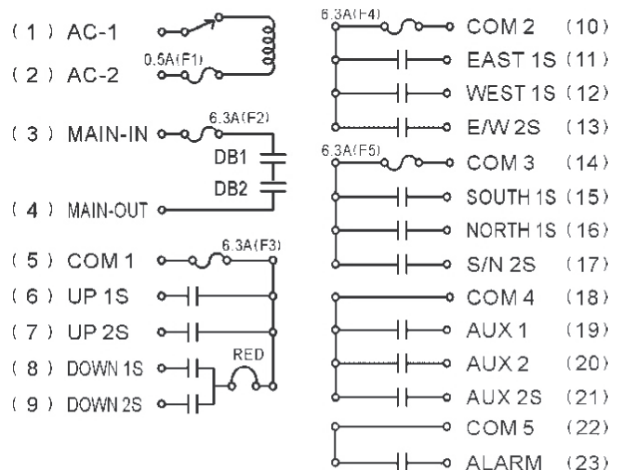
Wiring Diagrams

Shown below are the "default" wiring diagrams. If custom programming has been done, this might alter the relay outputs. See Manual for DC wiring diagrams.

K1 Series



K2 Series



K3 and K4 Series Radio Remote Control

K3 or K4 Transmitter



K3 P.N. 52530

K4 P.N. 52531

Transmitter Features

- Antenna: Integrated/Internal
- 3 stage low power indicator
- Removable Key
(For push button start, consult factory)
- Power consumption: Less than 28mA
- Powered by 4 Standard or Rechargeable AA batteries

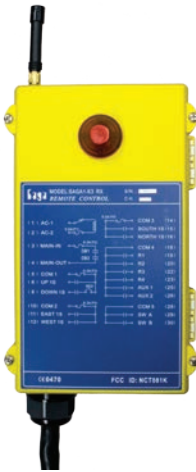
Please Note:

All transmitters will require the Serial Number for proper matching to receiver for programming.

*Default setting on Start/Alarm button is for the built-in alarm. Changing this setting or if Aux 1 is needed will disable the alarm output.

K Series radios will require Serial Number to be matched for easy out-of-the-box operation.

K3 or K4 Receiver



Receiver Features

- Integrated Horn/Alarm built into receiver
- Visible external power indicator
- Receiver has 2 meter (6ft) pre-wired cable.
- Receiver features F-Style antenna connector for easy antenna extension.
- Supply Voltages: DC 12-24, AC: 24, 48, 110, and 220. 110 VAC is the default.

K3 Series Radio Kit - 110VAC*

The K3 Series Kit includes six (6) batteries, spare key, spare fuse kit, instruction manual, and a legend sheet for each transmitter. AC only.

Description	No. of Transmitters	Part No.
Single speed, 12 Button transmitter with E-stop, key switch and On/Off. Up to 5 motion single speed control with 2 to 7 programmable auxiliary outputs, alarm output, A/B outputs, mainline output, and light output.	1	700SK3
	2	700DK3

K4 Series Radio Kit - 110VAC*

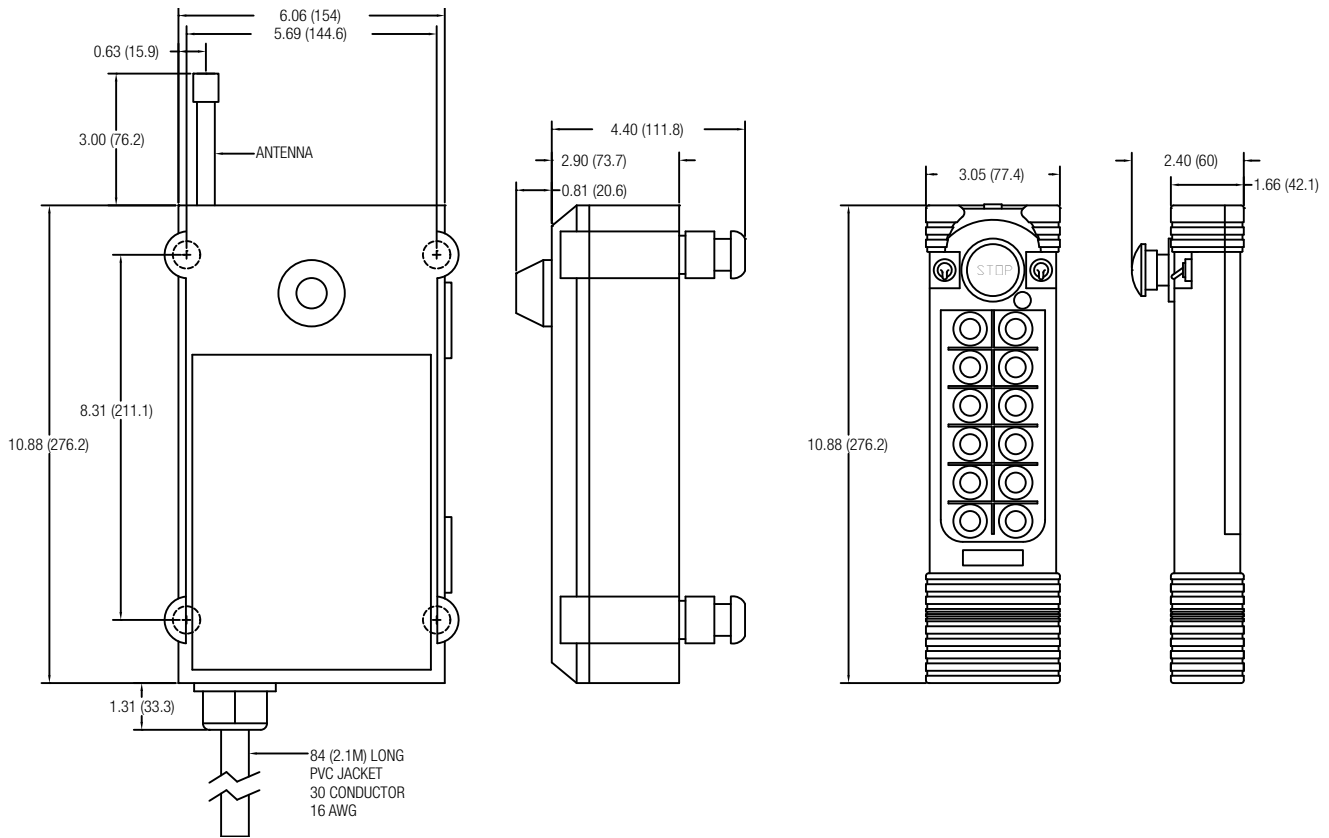
The K4 Series Kit includes six (6) batteries, spare key, spare fuse kit, instruction manual, and a legend sheet for each transmitter. AC only.

Description	No. of Transmitters	Part No.
Dual speed, 12 Button transmitter with E-stop, key switch and On/Off. Up to 5 motion two speed control with 2 to 7 programmable auxiliary outputs, alarm output, A/B outputs, mainline output and light output.	1	700SK4
	2	700DK4

* Default Supply Voltage is 110V AC. Please contact factory for part numbers for different supply voltages: -DC, -48V, -220V

K3 and K4 Series Dimensions and Wiring Diagram

Dimensions



Wiring Diagrams

Shown below are the default wiring diagrams. Custom programming might alter the relay outputs. See Manual for DC wiring diagrams.

