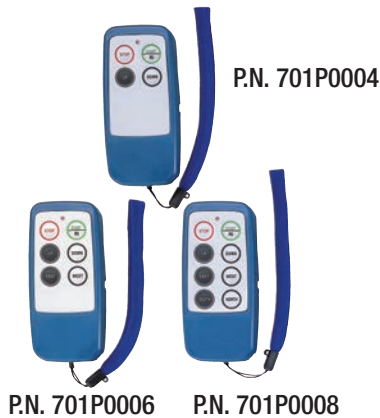


Protean™ Radio Remote Control

Protean Transmitters



Economical Protean™ Radio Remote Controls provide safe and reliable operation of many types of electrical machinery and crane controls. These FM radios have internal antennas for a 330 foot (100 meter) range and many advanced security and reliability features. Kits include one receiver and either one or two transmitters, as noted below. NEMA 4 (IP65) enclosures.

Transmitter specifications

- Runs on 2 standard “AA” alkaline batteries; low power consumption ensures long battery life. Includes low power indicator
- All single-speed buttons
- Jammed button detection
- Shock resistant case
- Weighs only 0.34 lbs. (155g) with batteries
- FCC Part 15 - no license required



Please Note:

All transmitters will require the Serial Number for proper matching to receiver for programming.

Protean Series radios will also need Channel Number 0-45 specified at time of order.

Receiver specifications

- Multiple supply voltages:
DC: 12 ~ 24 Volts DC (or 24 Volts AC)
AC: 48/110, 110/220, plus or minus 10%, 50/60 Hz. Default is 48/110 w/110 selected
- Independent common configuration for mixed control voltage applications
- Power-on/mainline contact
- LED display of power and contact closure status
- Sensitivity: Approximately -105 dBm
- Prewired cable, 6 feet long (1.83 m)
- Control relay rating: 10A @ 125 VAC; 5A@ 250 VAC; 8A @ 30 VDC
- 4-point shock mount designed for demanding mobile and industrial applications

Four Button Radio Kit

Operation Description	Voltage Type	No. of Transmitters	Part No.	Wt lb (kg)
Normally-open, single-speed buttons, with a stop, start/auxiliary, up and down buttons. The radio is suitable for a single motion (2 directions) and also provides a power-on (mainline) connection. The start button also doubles as an additional auxiliary relay.	AC	1	700PR04	2.74 (1.24)
	AC	2	700PR04D	3.08 (1.40)
	DC	1	700PR04-DC	2.74 (1.24)
	DC	2	700PR04D-DC	3.08 (1.40)

Six Button Radio Kit

Operation Description	Voltage Type	No. of Transmitters	Part No.	Wt lb (kg)
Normally-open, single-speed buttons, with a stop, start/auxiliary, up and down buttons. The radio is suitable for two motions (4 directions) and provides a power-on (mainline) connection. The start button also doubles as an additional auxiliary relay.	AC	1	700PR06	2.74 (1.24)
	AC	2	700PR06D	3.08 (1.40)
	DC	1	700PR06-DC	2.74 (1.24)
	DC	2	700PR06d-DC	3.08 (1.40)

Protean™ Radio Remote Control

Eight Button Radio Kit

Operation Description	Voltage Type	No. of Transmitters	Part No.	Wt lb (kg)
Normally-open, single-speed buttons, with a stop, start/auxiliary, up and down buttons. The radio is suitable for three motions (6 directions) and provides a power-on (mainline) connection. The start button also doubles as an additional auxiliary relay.	AC	1	700PR08	2.74 (1.24)
	AC	2	700PR08D	3.08 (1.40)
	DC	1	700PR08-DC	2.74 (1.24)
	DC	2	700PR08D-DC	3.08 (1.40)

Numbered Transmitter Face Plates



Each face plate shown is pre-numbered for 4, 6 or 8 button transmitters.

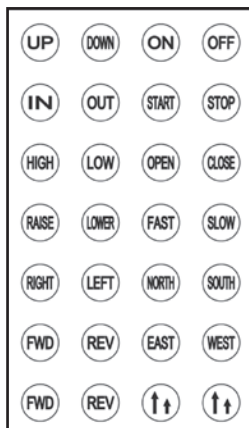
Description	Part No.
4-Button Face Plate	701P0045
6-Button Face Plate	701P0065
8-Button Face Plate	701P0085

Button Face Plates with Legend



The kits shown below contain either a 4, 6 or 8 button face plate with “blank” spots for legend names and one legend sheet as shown to the below.

To set up the face plate, choose the appropriate label from the legend sheet and apply it to the underside of the faceplate before applying the faceplate to the transmitter. The faceplate is clear in the open button positions allowing the label to show through.

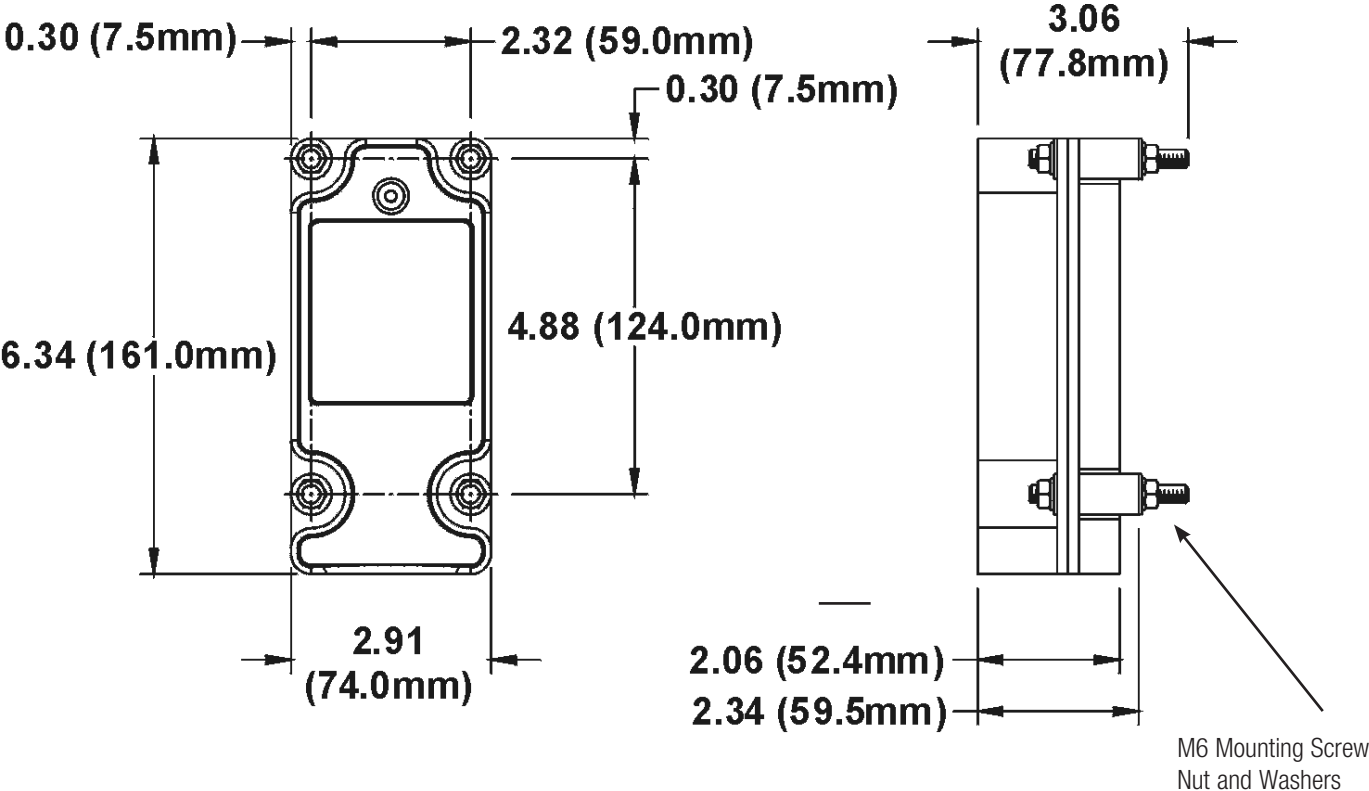


Description	Part No.
4-Button Face Plate, with 2 blank spots	701P0219
6-Button Face Plate, with 4 blank spots	701P0220
8-Button Face Plate, with 6 blank spots	701P0221

Protean™ Dimensions

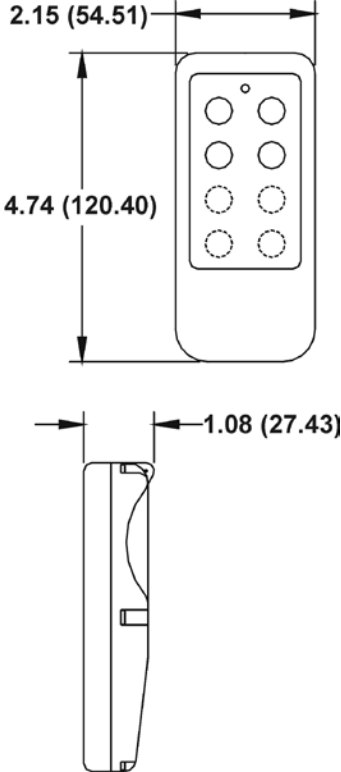
Protean™ Receiver

Weight: 2.4 lb (1.1 kg) - *Less Cable*



Protean™ Transmitter

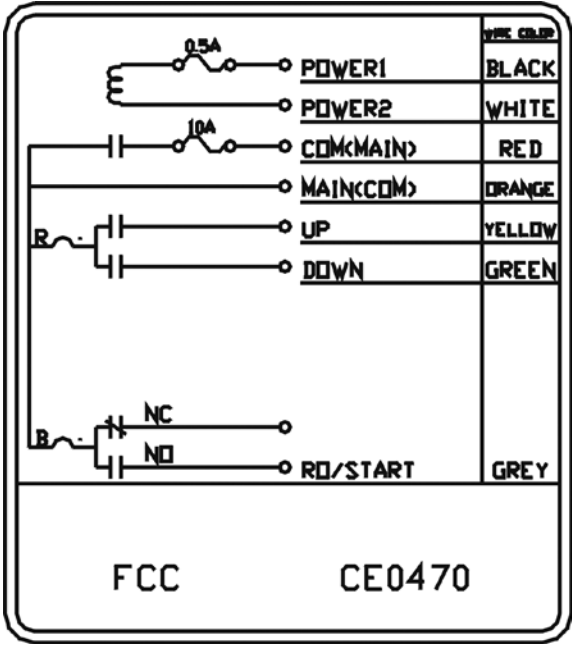
Weight: 0.34 lb (0.2 kg) *Including Batteries*



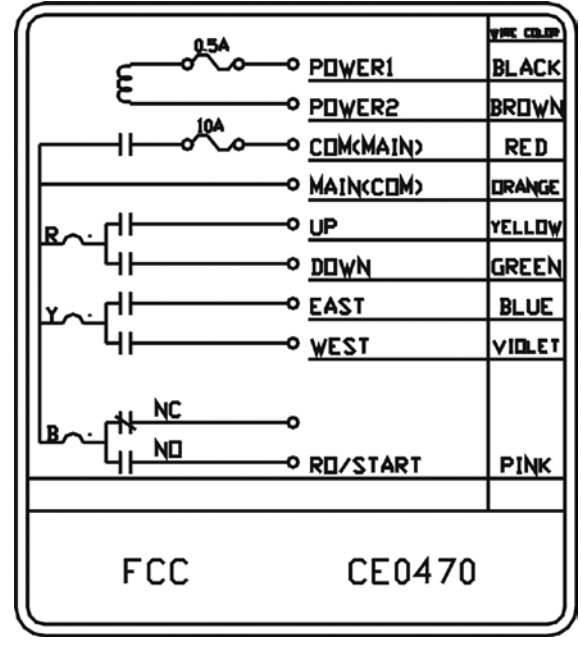
Protean™ Wiring Diagrams

AC type wiring is shown below. Wiring for DC units is the same but Power1 and Power2 are connected to 12-24 VDC. FCC ID#: NCTSAGA1-L8

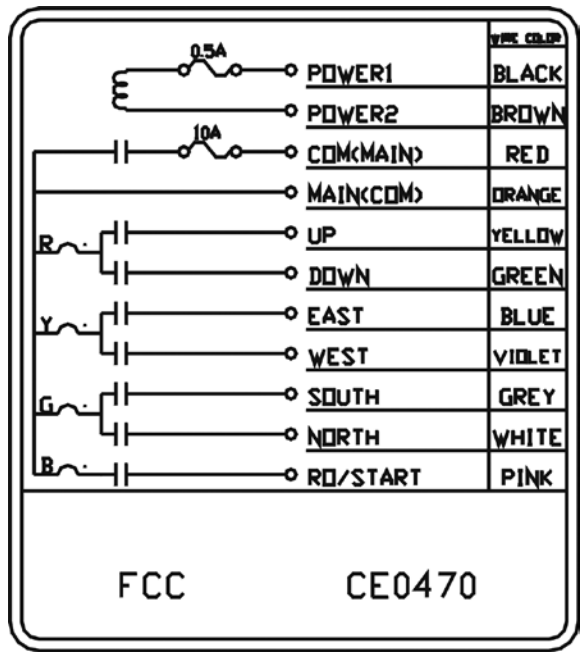
4-Button Wiring Schematic (AC Type)



6-Button Wiring Schematic (AC Type)



8-Button Wiring Schematic (AC Type)



Protean™ HT Radio Remote Control

Protean™ HT Transmitter



P.N. 701PROL6B-TX

The Protean™ HT Radio Remote Control is ideal for controlling hoist and trolley operation. It features two-speed push buttons with distinct position detents. There is a large mushroom E-stop switch with removable water-proof key. The radio functions in a range up to 330 feet and is available for either AC or DC operation.

Transmitter Specifications

- Dimensions: 6.5H x 2.0W x 2.25D (165mm x 51mm x 57mm)
- 4 Buttons: Up, Down, East, West
- Uses 2 AA alkaline batteries
- Shock-resistant design

Protean™ Receiver



Please Note:

All transmitters will require the Serial Number for proper matching to receiver for programming.

Protean Series radios will also need Channel Number 0-45 specified at time of order.

Receiver Specifications

- Dimensions: 6.5H x 3.0W x 2.4D (165mm x 76mm x 60mm)
- NEMA 4 rated (IP65), shock resistant enclosure
- Pre wired with six feet (1.83M) of cable
- Shock-resistant mounting; four bolts with stock absorbers
- Power Options: DC Type: 12 ~ 24 Volts DC (or 24 Volts AC)
AC Type: 48/110, 110/220, plus or minus 10%,
50/60 Hz. Default is 48/110 VAC, 110 VAC selected
- Relay Ratings: 10A @ 125 VAC
5A @ 250 VAC
8A @ 30 VDC

Protean™ HT Radio Kit

Input Power	No. of Transmitters	Part No.
AC	1	700PRO6HT
AC	2	700PRO6DHT
DC	1	700PRO6HT-DC
DC	2	700PRO6DHT-DC

Protean™ L8 Radio Remote Control

Protean™ L8 Transmitter



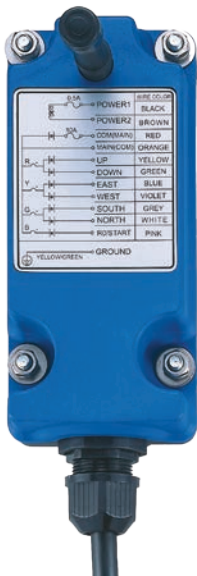
P.N. 701L8001

The L8 Series Radio Remote Control is ideal for applications that require three motions, such as a hoist, trolley, and bridge motions for an overhead crane, but only requires single speed operation. The L8 is ruggedly built and features a large mushroom E-stop switch and removable water-proof key. The radio functions within a range up to 330 feet and is available for either AC or DC operation.

Transmitter Specifications

- Dimensions: 6.5H x 2.0W x 2.25D (165mm x 51mm x 57mm)
- 6 single-speed buttons: Up/Down, East/West, North/South
- Uses 2 AA alkaline batteries
- Shock-resistant design

Protean™ Receiver



Please Note:

All transmitters will require the Serial Number for proper matching to receiver for programming.

Protean Series radios will also need Channel Number 0-45 specified at time of order.

Receiver Specifications

- Dimensions: 6.5H x 3W x 2.4D (165mm x 76mm x 60mm)
- NEMA 4 rated (IP65), Shock resistant enclosure
- Pre wired with six feet (1.83m) of cable
- Shock-resistant mounting; four bolts with shock absorbers
- Power Options: DC Type: 12 ~ 24 Volts DC (or 24 Volts AC)
AC Type: 48/110, 110/220, plus or minus 10%, 50/60 Hz. Default 48/110V, with 110 V selected
- Relay Ratings: 10A @ 125 VAC
5A @ 250 VAC
8A @ 30 VDC

Protean™ L8 Radio Kit

Input Power	No. of Transmitters	Part No.
AC	1	700PROL8B
AC	2	700PROL8BD
DC	1	700PROL8B-DC
DC	2	700PROL8BD-DC