

# Yale<sup>®</sup>

Electric Chain Hoist

## Model CPE/F

Capacity 1.600 kg - 10.000 kg

Translated Operating and  
Maintenance Manual



**COLUMBUS McKINNON Industrial Products GmbH**

P.O. Box 11 01 53 • D-42301 Wuppertal, Germany

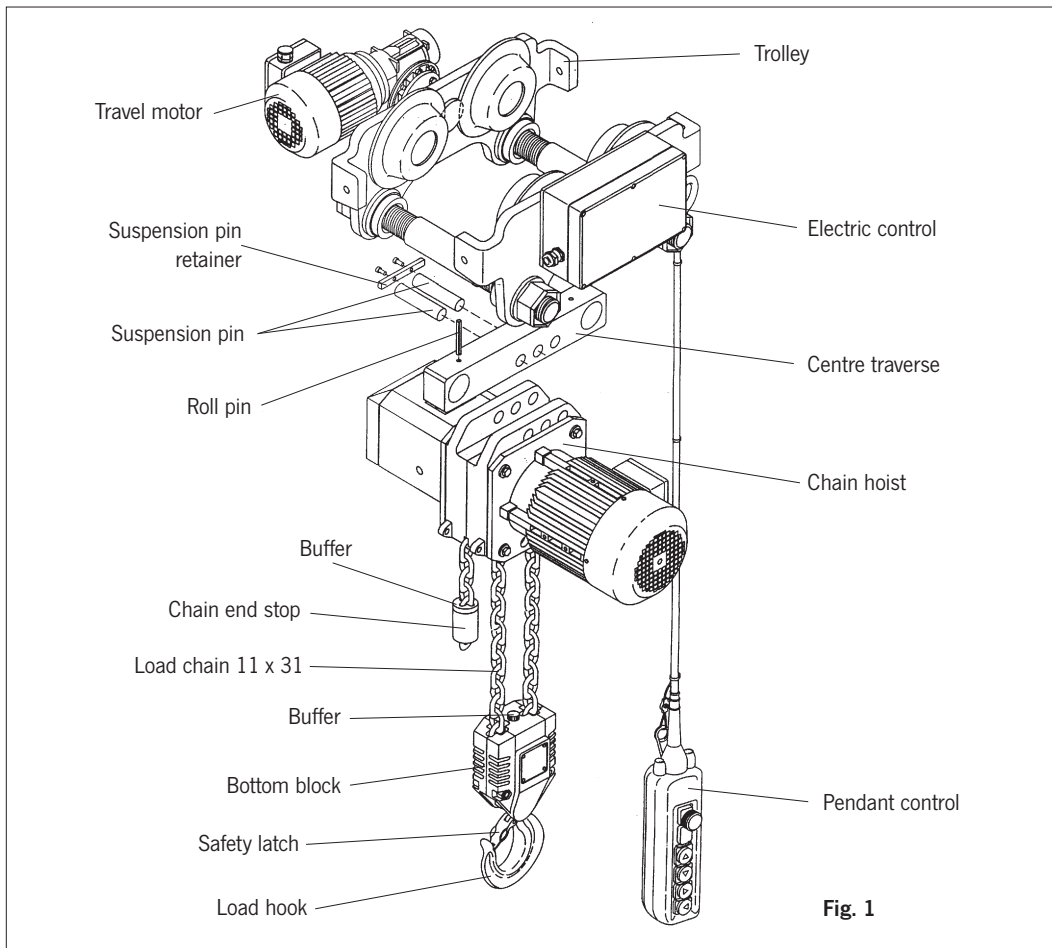
Yale-Allee 30 • D-42329 Wuppertal, Germany

+49 (0) 202/6 93 59-0 • Fax + 49 (0) 202 / 6 93 59-127

Ident.-No.: 09901074/01.2014



**COLUMBUS McKINNON**



**Fig. 1**

Technical data electric chain hoist							Technical data electric trolley				
Model	Capacity [kg]	Number of chain falls	Motor rating ED [%]	Motor [kW]	Lifting speed(s) [m/min]	FEM group	Beam widths [mm]	Curve radius min. [mm]	Travel speed(s) [m/min]	Motor [kW]	Motor rating ED [%]
<b>CPE 16-8</b> <b>CPE F 16-8</b>	1.600	1	40 40 / 20	2,3 2,3 / 0,58	7,2 7,2 / 1,8	1 Am	98 - 180 or 180 - 300	1800 or 2000	11 11 / 2,8	0,37 0,3 / 0,09	40 40 / 20
<b>CPE 20-8</b> <b>CPE F 20-8</b>	2.000	1	25 25 / 15	2,8 2,8 / 0,7	7,2 7,2 / 1,8	1 Bm	98 - 180 or 180 - 300	1800 or 2000	11 11 / 2,8	0,37 0,3 / 0,09	40 40 / 20
<b>CPE 25-5</b> <b>CPE F 25-5</b>	2.500	1	40 40 / 20	2,3 2,3 / 0,58	4,5 4,5 / 1,13	1 Am	98 - 180 or 180 - 300	1800 or 2000	11 11 / 2,8	0,37 0,3 / 0,09	40 40 / 20
<b>CPE 30-5</b> <b>CPE F 30-5</b>	3.000	1	25 25 / 15	2,8 2,8 / 0,7	4,5 4,5 / 1,13	1 Bm	98 - 180 or 180 - 300	1800 or 2000	11 11 / 2,8	0,37 0,3 / 0,09	40 40 / 20
<b>CPE 32-4</b> <b>CPE F 32-4</b>	3.200	2	40 40 / 20	2,3 2,3 / 0,58	3,6 3,6 / 0,9	1 Am	98 - 180 or 180 - 300	1800 or 2000	11 11 / 2,8	0,37 0,3 / 0,09	40 40 / 20
<b>CPE 40-4</b> <b>CPE F 40-4</b>	4.000	2	25 25 / 15	2,8 2,8 / 0,7	3,6 3,6 / 0,9	1 Bm	98 - 180 or 180 - 300	1800 or 2000	11 11 / 2,8	0,37 0,3 / 0,09	40 40 / 20
<b>CPE 50-2</b> <b>CPE F 50-2</b>	5.000	2	40 40 / 20	2,3 2,3 / 0,58	2,25 2,25/0,54	1 Am	98 - 180 or 180 - 300	1800 or 2000	11 11 / 2,8	0,37 0,3 / 0,09	40 40 / 20
<b>CPE 75-1,6</b> <b>CPE F 75-1,6</b>	7.500	3	40 40 / 20	2,8 2,8 / 0,58	1,44 1,44/0,36	1 Am	125 - 310	1800	5 5 / 1,25	0,55 0,55/0,12	40 40 / 20
<b>CPE 100-2</b> <b>CPE F 100-2</b>	10.000	4	40 40 / 20	2 x 2,3 2x2,3/0,58	2,25 2,25/0,54	1 Am	125 - 310	1800	5 5 / 1,25	0,55 0,55/0,12	40 40 / 20



TABLE OF CONTENTS	PAGE
<b>1. General information</b>	<b>3</b>
<b>2. Correct operation</b>	<b>3</b>
Maximum capacity	3
Danger zones	3
Attaching the hoist / trolley	3
Temperature range	4
Theoretical service life	4
Regulations, maintenance / repair	4
<b>3. Incorrect operation</b>	<b>4</b>
<b>4. Assembly</b>	<b>4</b>
<b>4.1 Inspection before assembly</b>	<b>4</b>
<b>4.2 Electric chain hoist with hook suspension</b>	<b>4</b>
<b>4.3 Electric chain hoist with trolley</b>	<b>5</b>
Assembly of the trolley	5
Assembly, Shortening or extending the hand chain	6
<b>4.4 Electrical connection</b>	<b>6</b>
Preparation	6
Connecting to the power supply	6
<b>5. Functional test after assembly</b>	<b>8</b>
<b>6. Commissioning</b>	<b>8</b>
Inspection before initial operation	8
Inspection by a crane expert	8
<b>7. Operation</b>	<b>8</b>
Installation, service, operation	8
Inspection before starting work	8
Inspection of load chain	8
Inspection of chain end stop	8
Inspection of chain reeving	8
Inspection of suspension and load hooks	8
Attaching the load	8
Inspect the traverse (for trolleys)	8
Check adjustment of trolley width	8
Traversing the trolley	8
Attaching the load	9
Lifting / lowering the load	9
Emergency stop	9
<b>8. Service</b>	<b>9</b>
<b>8.1 Daily checks</b>	<b>9</b>
<b>8.2 Regular inspections, service and testing</b>	<b>10</b>
<b>8.3 Load chain</b>	<b>10</b>
Lubricating the load chain	10
Inspecting the load chain for wear	10
Replace the load chain	10
1-strand design, 2-strand design	10
<b>8.4 Maintenance of suspension and load hooks</b>	<b>11</b>
<b>8.5 Maintenance of trolley</b>	<b>12</b>
<b>8.6 Maintenance of overload protection</b>	<b>12</b>
Overload protection	12
Adjustment of overload protection	12
<b>8.7 Maintenance of gearbox</b>	<b>12</b>
Oil change	12
Disassembly and reassembly	12
<b>8.8 Maintenance of motor</b>	<b>13</b>
Motor	13
Disc brake	13
<b>8.9 Electric chain hoist in general</b>	<b>13</b>

## 1. GENERAL INFORMATION

**Attention:** All users must read these operating instructions carefully prior to the initial operation. These instructions are intended to acquaint the user with the hoist/trolley and enable him to use it to the full extent of its intended capabilities.

The operating instructions contain important information on how to handle the hoist/trolley in a safe, correct and economic way. Acting in accordance with these instructions helps to avoid dangers, reduce repair costs and downtime and to increase the reliability and lifetime of the hoist/trolley.

Anyone involved in doing any of the following work with the hoist/trolley must read the operating instructions and act accordingly:

- Operation, including preparation, trouble shooting and cleaning
- Maintenance, inspection, repair
- Transport

Apart from the operating instructions and the accident prevention act valid for the respective country and area where the hoist / trolley is used, also the commonly accepted regulations for safe and professional work must be adhered to.

The user is responsible for the proper and professional instruction of the operating personnel.

Every unit leaving the factory is furnished with a test certificate that shows the serial number of the hoist / trolley. This certificate has to be filed together with the inspection manual.

The continuous sound level at the place of work is equal to >70 dB. The measurements were taken at a distance of 1 m from the hoist at 9 positions in accordance with DIN 45635, precision class 2.

## 2. CORRECT OPERATION

### Maximum capacity

The Yale electric chain hoist series CPE/F has been designed to lift and lower loads up to the rated capacity. The lifting capacity indicated on the hoist/trolley is the maximum safe working load which must not be exceeded.

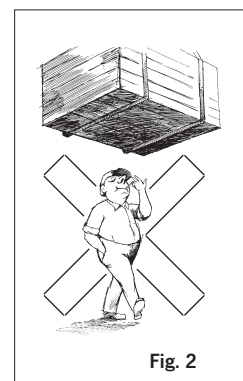


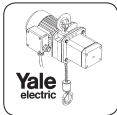
Fig. 2

### Danger zones

- Do not allow personnel to pass under a suspended load (see Fig. 2).
- After lifting or tensioning, a load must not be left unattended for a longer period of time.
- Start moving the load only after it has been attached correctly and all personnel are clear of the danger zone.

### Attaching the hoist / trolley

- The operator must ensure that the hoist / trolley is attached in a manner that does not expose himself or other personnel to danger by the hoist, trolley, chain(s) or the load.



# Yale® Electric Chain Hoist CPE/F

## Temperature range

The units can be operated in ambient temperatures between -20° C and +50° C. Consult the manufacturer in case of extreme working conditions.

## Theoretical service life

The electric chain hoist is classified to group 1 Am according to FEM 9.511. Basic principles for the calculation of the theoretical remaining service life are given in BGV D8. When the theoretical remaining service life has been reached, the electric chain hoist should be subjected to a general overhaul (also refer to para 8 Maintenance).

## Regulations

The accident prevention act and/or safety regulations of the respective country for using manual and electric hoists must be strictly adhered to. In Germany these are BGV D6, BGV D8, BGR 500 and VDE 0113-32/ EN 60204-32 : 1999.

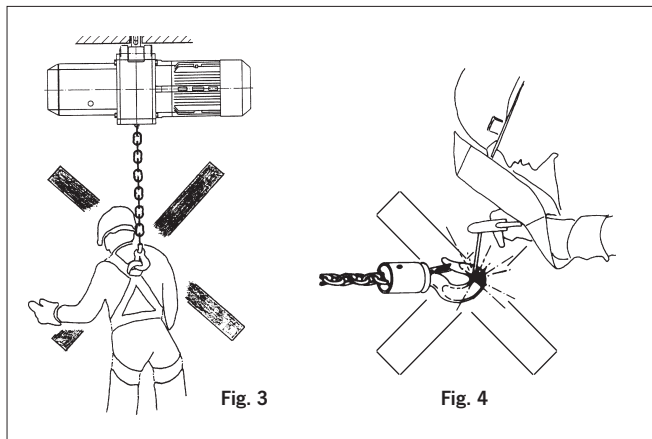
## Maintenance / Repair

In order to ensure correct operation, not only the operating instructions, but also the conditions for inspection and maintenance must be complied with. If defects are found or abnormal noise is to be heard stop using the hoist / trolley immediately.

**Attention:** Before starting work on electrical components the power supply is to be cut off.

## 3. INCORRECT OPERATION

- Do not exceed the rated capacity of the hoist / trolley.
- Do not lift stuck or jammed loads.
- Excessive inching operation by short and frequent actuation of the control switch should be avoided.
- Do not use the hoist / trolley for the transportation of people (Fig. 3).
- Welding on hook and load chain is strictly forbidden. The load chain must never be used as a ground connection during welding (Fig. 4).



- Avoid side pull, i.e. side load on either housing or bottom block (Fig. 5). Lift only when the load chain forms a straight line between both hooks.
- The load chain must not be used for lashing purposes (sling chain) (Fig. 6).
- Do not knot or shorten the load chain by using bolts, screws, screwdrivers or other devices (Fig. 7). Load chains that are integral part of the hoist/trolley are not allowed to be repaired.
- Do not remove the safety latch from suspension hook or load hook (Fig. 8).
- Do not use the chain end stop as an operational limit device (see Fig. 1 - chain end stop).
- Do not throw the hoist or trolley down. Always place it properly on the ground.

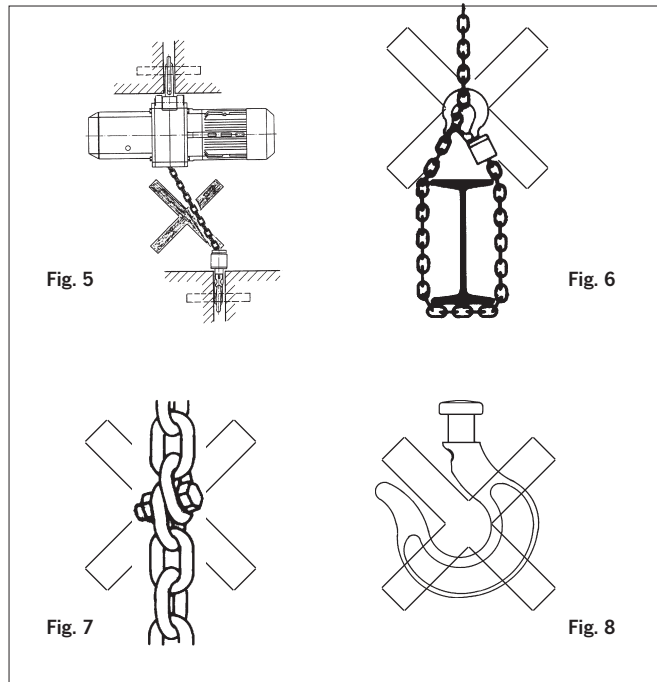


Fig. 5

Fig. 6

Fig. 7

Fig. 8

- The unit must not be operated in potentially explosive atmospheres.
- The longitudinal downward slope of the carriageway must not exceed 0,3%.
- The adjustment of the trolley width must not be extended in order to e.g. obtain a smaller radius curvature.
- Any modifications of the hoist or trolley are prohibited.
- Load can not fall into the loose chain - risk of chain break!
- Never attach the load to the tip of the hook. The load must always be seated in the saddle of the hook. This also applies to the suspension hook.
- Turning of loads under normal operating conditions is not allowed, as the bottom blocks of the hoists are not designed for this purpose. If turning of loads is required as standard, the bottom blocks have to be provided with swivel hooks supported by axial bearings. In case of queries consult the manufacturer. Beim Drehen einer angehobenen Last darf sich die Lastkette unter keinen Umständen mitdrehen.
- Never attach more than one load lifting attachment to the load hook of the hoist or trolley.

## 4. ASSEMBLY

### 4.1 INSPECTION BEFORE ASSEMBLY

- Check for transport damage
- Check for completeness
- Check that the capacity indication on hoist and bottom block match.

### 4.2 ELECTRIC CHAIN HOIST WITH HOOK SUSPENSION (Standard version)

The suspension hook is connected to the hoist with two suspension pins. Independent of how the hoist is reeved the load hook must always hang vertically under the suspension hook (see Fig. 9).

In 1-strand configuration the suspension hook is to be installed centred on the marking "1/1" on the main frame assy. , in 2-strand configuration centred on the marking "2/1",

In 3- and 4-strand configuration the suspension hook is to be installed centred on the marking "1/1" on the main frame assy.

**Attention:** Secure the two suspension pins with locking plate after assembly.

Selection and calculation of the suitable suspension point and beam construction are the responsibility of the user.

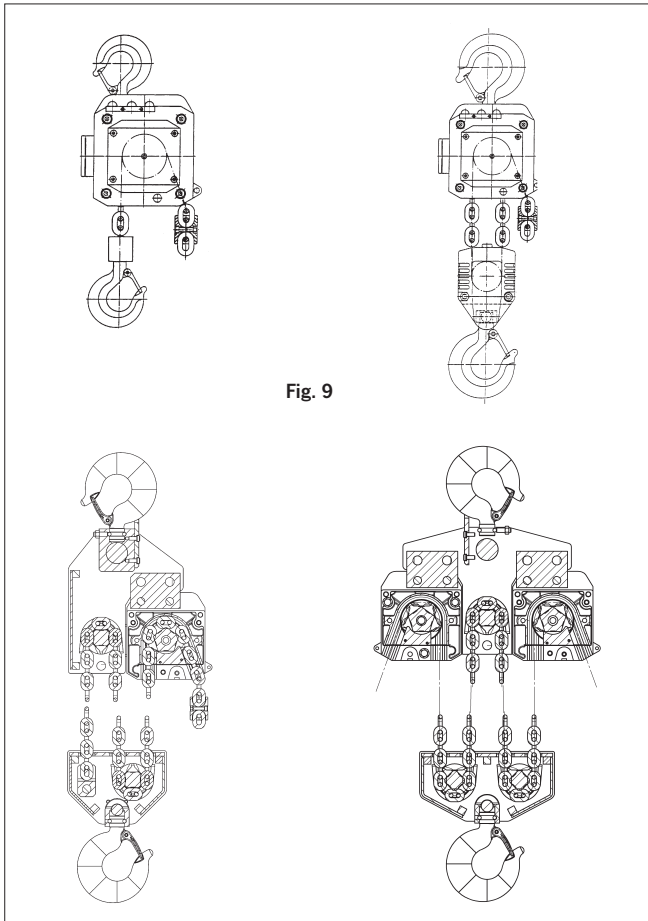
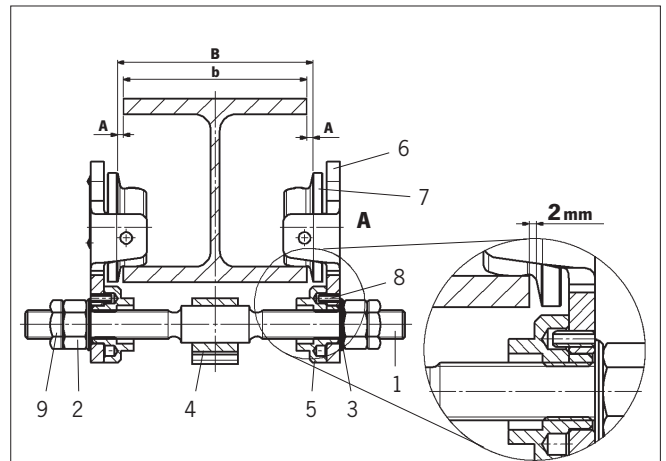


Fig. 9

### Assembly of the trolley 1,6 - 5 t (see Fig. 10)

1. Unscrew the locking nuts (item 9) and hex nuts (item 2) from the crossbars (item 1) and remove both side plates (item 6) from the trolley.
2. Measure the flange width of the beam (see Fig. 10 - measure b).
3. Adjust measure B between the shoulders of the round nuts (item 5) on the threaded crossbars (item 1). Ensure that the 4 bores in the round nuts face towards the outside. Adjust the measure B to equal measure b plus 4 mm. Measure A must be 2 mm on either side and the centre traverse (item 4) must be centred between the round nuts.
4. Replace one side plate (item 6):  
Replace one side plate ensuring that the roll pins (item 8) engage into one of the 4 bores in the round nuts (item 5). To achieve this it may be necessary to rotate the round nuts slightly.
5. Replace the washers (item 3) and tighten the hex nuts (item 2). Screw on the locknuts (item 9) finger-tight and tighten a further ¼ to ½ turn.

**Attention:** The locknuts must always be fitted.



No. Description

- |                   |                 |
|-------------------|-----------------|
| 1 Crossbar        | 6 Side plate    |
| 2 Hex. nut        | 7 Trolley wheel |
| 3 Washer          | 8 Roll pin      |
| 4 Centre traverse | 9 Locknut       |
| 5 Round nut       | 10 Roll pins    |

### 4.3 ELECTRIC CHAIN HOIST WITH TROLLEY

The units are delivered pre-assembled and are built to fit beam range A or B which is given on the name plate (Tab. 1). Prior to installation ensure that the flange width is within the limits indicated.

Capacity [kg]	Beam range	Flange width [mm]		Flange thickness [mm]
		von	bis	
1.600 - 5.000	A	98	180	27
1.600 - 5.000	B	180	300	27
7.500 - 10.000	B	125	310	40

Tab. 1

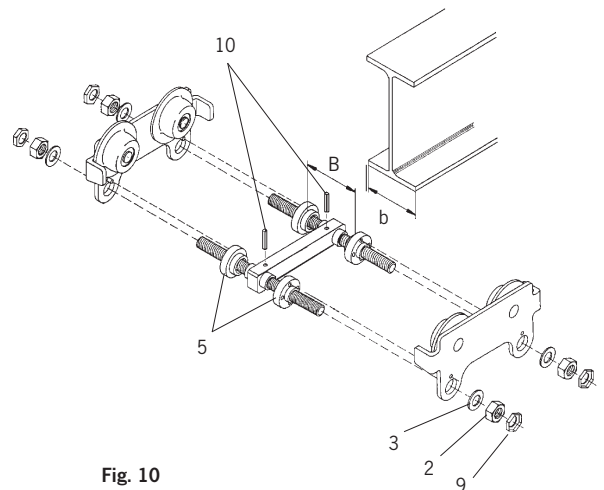
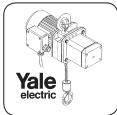


Fig. 10





# Yale® Electric Chain Hoist CPE/F

6. Loosely replace the second side plate (item 6) on the crossbars (item 1). The washers (item 3), hex. nuts (item 2) and locknuts (item 9) can be fitted loosely.
7. Raise the complete pre-assembled trolley to the carrying beam.
8. Engage the second side plate (item 6) ensuring that the roll pins (item 8) engage into one of the bores in the round nuts (item 5). To achieve this it may be necessary to rotate the round nuts slightly.
9. Tighten the hex nuts (item 2) on the second side plate. Tighten the locknuts (item 9) finger-tight and then a further ¼ to ½ turn.

**Attention:** The locknuts must always be fitted!

10. By traversing the trolley check the following:

- that a clearance of 2 mm is maintained on each side between the trolley wheel flanges and the beam outer edge.
- that the suspension traverse and consequently the unit is centred below the beam.
- that all 4 locknuts (item 9) are fitted.
- that the side plates are parallel.
- that all wheels roll freely and make good contact with the flange of the beam.
- that there are no obstacles on the driving surface.

## Assembly of the trolley 7,5 - 10 t (vgl. Fig. 11 und Fig. 12)

1. Measure the flange width of the beam.
  2. Evenly distribute the spacer sleeves and spacer washers on both sides of the load bar. The clearance between the trolley wheel flange and the beam edge must be 2 mm on both sides when finally assembled.
- Attention:** When installing the load bar look out for the spacer for the supporting frame (Fig. 11 and 12).

3. Place the side plates on the load bar and distribute the remaining spacer washers on the outside of the side plates equally on both sides ensuring that at least 1 large and 3 small adjusting washers are mounted between the side plate and hexagon slotted nut. Secure one side plate with a hexagon slotted nut.

**Tip:** For easier mounting screw one side plate tightly. The other side plate is attached loosely. Pay attention to the desired position of the drive side.

4. Then lift the entire unit to the beam and tighten all hexagon slotted nuts.
5. Secure all hexagon slotted nuts with cotter pins.
6. By traversing the trolley check the following:
  - that a clearance of 2 mm is maintained on each side between the trolley wheel flanges and the beam outer edge.
  - that the suspension traverse and consequently the unit is centred below the beam.
  - that both hexagon slotted nuts are fitted and secured with cotter pins.
  - that at least 1 large and 3 small adjusting washers are mounted between the side plate and hexagon slotted nut
  - that the side plates are parallel.
  - that all wheels roll freely and make good contact with the flange of the beam.
  - that there are no obstacles on the driving surface.

## Assembly of the hand chain

(Model VTG with hand chain drive only)

To fit the hand chain position the slot on the outer edge of the hand chain wheel below the chain guide. Place any one link of the endless hand chain vertically into the slot and turn the hand chain wheel until the link has passed the chain guides on both sides.

**Attention:** Do not twist the hand chain when fitting!  
Geared trolleys are moved by pulling the hand chain.

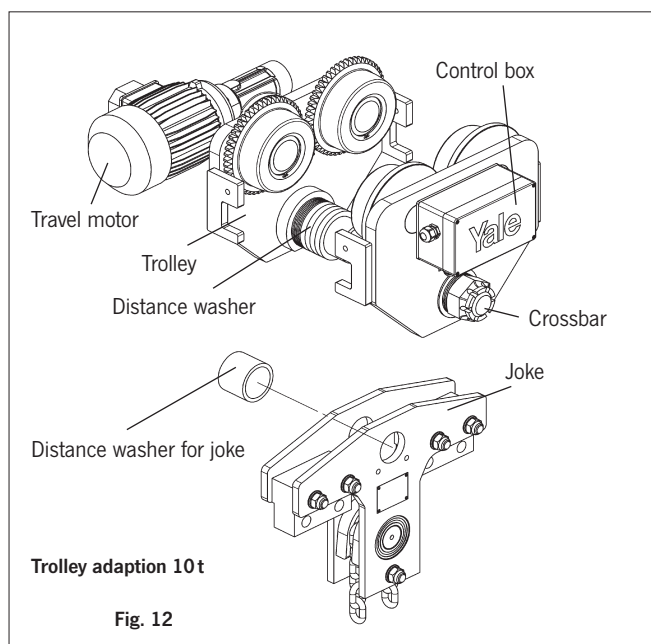
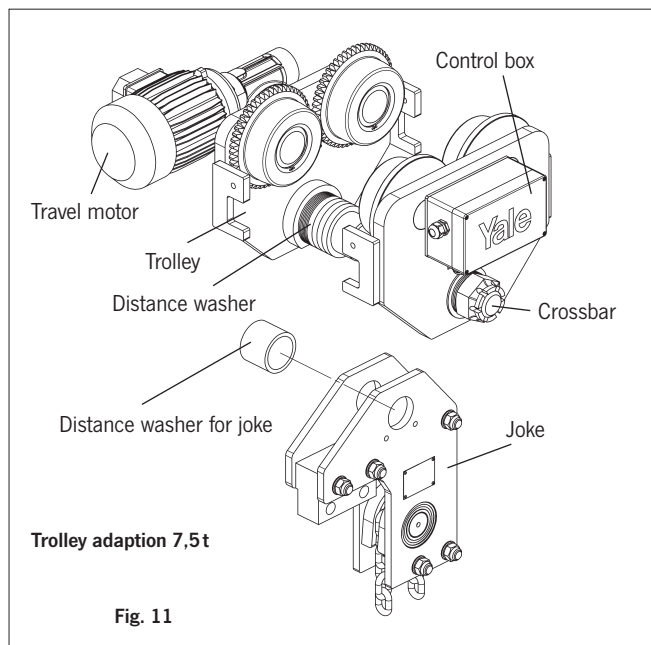
## Shortening or extending the hand chain

(Model CPE/F with hand chain drive only)

The length of the hand chain should be adjusted so that the distance to the floor is 500 - 1000 mm.

1. Determine the open link of the hand chain and open up by bending.
2. Shorten or extend the hand chain as required.
 

**Attention:** The number of removed or added chain links must always be even.
3. Close the open connecting link by bending.





## 4.4 ELECTRICAL CONNECTION

### Attention!

Work at electrical installations may be carried out by electrical experts only. The local regulations have to be strictly observed, e.g. EN 60204-32 / VDE 0113.

### Preparation

- Before beginning work on electrical components the mains current switch must be switched OFF and secured against unintentionally being switched back on.
- Before connecting the chain hoist ensure that the electrical data on the nameplate match the local supply specifications.
- The mains supply cable must be an insulated cable with 4 flexible leads. The ground (earth) lead must be longer than the live leads. The cross-sections and the fusing of the various models and cable lengths see tables on page 7. Cable ends have to be provided with end sleeves.
- The length of the pendant control cable is determined by working conditions. Attach the tension relief wire in a manner that the pendant control cable hangs load-free.
- Wiring and terminal connecting diagrams are included with the hoist.

### Mains supply connection

1. The mains supply cable must be connected to the electric chain hoist before it is connected to the mains supply.

2. On chain hoists with an electric trolley (CPE-VTE) the three phases of the mains supply are to be connected to the terminal strip within the terminal box on the trolley. The ground/earth wire is to be connected to the special ground/ earth connection within the terminal box of the chain hoist.

3. On chain hoists without electric trolley the mains supply and the ground/earth wire are to be connected to the terminal strip within the terminal box of the chain hoist.

4. After removing the terminal box cover, connect the wiring as shown on the wiring diagram label inside the terminal box cover.

**Attention:** On hoists with direct control the ground/earth wire should always be connected according to the wiring diagram. Should the mains supply source not provide a ground (earth) connection please consult the manufacturer.

5. After replacing the terminal box cover, connect the other end of the supply cable to the mains supply.

6. Check the motor's direction of rotation.  
The wiring diagram included has been drawn for a normal, clockwise rotating installation. Should the user's mains supply not fulfil these requirements, e.g. the hoist lowers when "lift" is selected (or vice versa) switch the unit OFF immediately and exchange two of the three phase connections in the mains connection.

**Attention:** Under no circumstances may the wiring in the pendant control be tampered with.

Model	P <sub>n</sub> [kW]	ED [%]	I <sub>a</sub> /I <sub>n</sub>	I <sub>n</sub> [A]	Fuse (delayed-action) [A]	Wire cross-section mm <sup>2</sup> for wire length		
						0 - 50 m	50 - 100 m	100 - 150 m
CPE 16-8 CPE 25-5 CPE 32-4 CPE 50-2	2,3	40	4,7	5,3	16*	1,5	1,5	2,5
CPE 100-2	2 x 2,3	40	4,7	6,4	16*	2,5	2,5	—
CPE 20-8 CPE 30-5 CPE 40-4 CPE 75-1,6	2,8	25	4,7	6,4	16*	2,5	2,5	—

Model	P <sub>n</sub> [kW]	ED [%]	I <sub>a</sub> /I <sub>n</sub>	I <sub>n</sub> [A]	Fuse (delayed-action) [A]	Wire cross-section mm <sup>2</sup> for wire length		
						0 - 50 m	50 - 100 m	100 - 150 m
CPE F 16-8 CPE F 25-5 CPE F 32-4 CPE F 50-2	0,58/2,3	20/40	1,8/4,4	3,3/5,5	16*	1,5	2,5	2,5
CPE F 100-2	2 x 0,58/2,3	20/40	1,8/4,4	4,0/6,8	16*	2,5	2,5	—
CPE F 20-8 CPE F 30-5 CPE F 40-4 CPE F 75-1,6	0,7/2,8	15/25	1,8/4,4	4,0/6,8	16*	2,5	2,5	—

all data for 400 V, 3 Phases, 50 Hz

\* for direct control, at independent control 10 A



# Yale® Electric Chain Hoist CPE/F

## 5. FUNCTIONAL CHECK AFTER ASSEMBLY

Prior to operating the hoist, grease the trolley pinions (manual geared and electric trolleys) and lubricate the load chain when it is not under load (see page 9).

Before the hoist is put into regular service, following additional inspections must be made:

- Are all screwed connections on hoist and trolley tight and are all locking devices in place and secure?
- Are the end stops on the trolley runway in place and secure?
- Is the chain drive correctly reeved?
- Is the chain end stop correctly fitted to the loose end of the load chain?
- All units equipped with two or more chain strands should be inspected before initial operation for twisted or kinked chains. The chains of 2-strand hoists may be twisted if the bottom block is rolled over.
- Perform an operation cycle without load. The chain should move in a steady, smooth way. Check the function of the overload device by raising the bottom block against the hoist body (max. 5 sec.).
- Check the brake function when lifting and lowering. The braking distance must not be more than 50 mm.
- Traverse the trolley (if available) the complete length of the trolley runway ensuring that the 2 - 4 mm lateral clearance between the trolley wheel flange and the beam outer edge is maintained at all times. Check that beam end stops are positioned correctly and secure.

## 6. COMMISSIONING

### Inspection before initial operation

Each hoist/trolley must be inspected prior to initial operation by a competent person and any failures be removed. The inspection is visual and functional. These inspections have to assure that the hoist is safe and has not been damaged by incorrect transport or storage. Inspections should be made by a representative of the manufacturer or the supplier although the company can assign its own suitably trained personnel. Inspections are instigated by the user.

### Inspection by a crane expert

If the hoist is used as a crane, it has to be inspected and approved by a crane expert before initial operation. This inspection has to be registered in the crane inspection book. The inspection by the crane expert has to be instigated by the operating company.

## 7. OPERATION

### Installation, service, operation

Operators delegated to install, service or independently operate the hoist must have had suitable training and be competent. Operators are to be specifically nominated by the company and must be familiar with all relevant safety regulations of the country of use.

### Inspection before starting work

Before starting work inspect the hoist/trolley, chains and all load bearing components every time for visual defects. Furthermore test the brake and make sure that the load and hoist/trolley are correctly attached by carrying out a short work cycle of lifting and lowering resp. travelling in both directions. Selection and calculation of the proper suspension point and beam construction are the responsibility of the operating company.

### Inspection of load chain

Inspect the chain for sufficient lubrication and visually check for external defects, deformations, superficial cracks, wear or signs of corrosion.

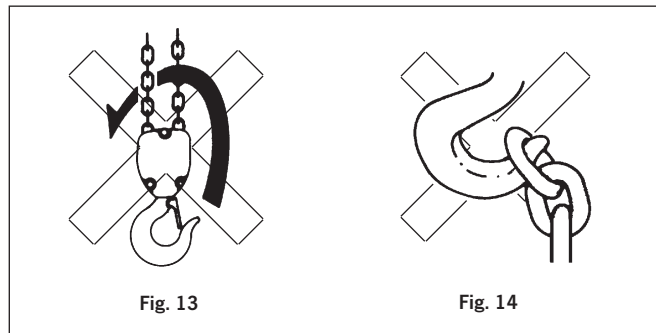
### Inspection of chain end stop

The chain end stop must be connected to the free (idle) chain strand (see Fig. 1 - chain end stop).

### Inspection of chain reeving

All units with two or more chain strands should be inspected prior to initial operation for twisted or kinked chains. The chains of 2-strand hoists may be twisted if the bottom block was rolled over (Fig. 13).

The load chain has to be installed according to illustration (Fig. 9). Hereby the welds on the standing links must face away from the load sheave.



### Inspecting the hooks

Check the load hook and the suspension hook for deformations, cracks, damages, abrasion and signs of corrosion.

### Attaching the load

The load must always be seated in the saddle of the hook. Never attach the load to the tip of the load hook (Fig. 14). This also applies to the suspension hook.

### Inspect the traverse (for trolleys)

Inspect the traverse for correct assembly and visually check for external defects, deformations, superficial cracks, wear or signs of corrosion. Especially make sure that the roll pins are properly fitted to the centre traverse (Fig. 10).

### Check adjustment of trolley width

On chain hoists with trolley (CPV/F-VTP/G(E)) check that the clearance between the trolley wheel flange and the beam outer edge is equal on both sides and within the tolerances given (see page 5, Fig. 10).

Enlarging the clearances, e. g. to enable the trolley to negotiate tighter curves, is forbidden.

### Traversing the hoist

Plain trolley:

Push the hoist or attached load.

**Attention:** Never pull on the pendant control cable. Suspended loads may only be pushed.

Geared trolley:

By operating the trolley hand chain.





Electric trolley:

By operating the ► resp. ◀ -button.

For trolleys with two speeds: The first stage of button depression activates the slow speed., further depression activates the fast speed. Use the slow speed for short periods only.

When moving the trolley consider the stopping distance. Do not use the beam end stops as operational limit devices.

### Attaching the load

Attach the load to the hoist using only approved and certified slings or lashing devices. Never use the load chain as sling chain. The load must always be seated in the saddle of the hook. Never attach the load to the tip of the hook. Do not remove the safety latch from the load hook.

### Lifting/lowering the load

The load is lifted by depressing the ▲ -button, it is lowered by depressing the ▼ -button. For hoists with two speeds: The first stage of button depression activates the slow speed, further depression activates the faster speed. In order to raise the load, always use the lowest available lifting speed. The chain must be loaded at this speed and may not lie slack on the floor. The slow speed may only be used for short distances. The chain end stop may not be used as operational limit switch (see Fig. 1). Use the slow speed for short periods only. Do not use the chain end stop as operational limit device.

### Emergency stop

All movement can be immediately halted by depressing the red, mushroom shaped button on the pendant control.

### Attention:

Operating the red emergency button does NOT automatically disconnect the mains supply to hoist or trolley.

To release the emergency stop, rotate the button in an clockwise direction.

## 8. SERVICE

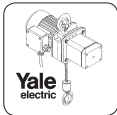
- Service and inspections may only be carried out by a competent person.
- The inspection must determine that all safety devices are present and fully operational and covers the condition of the hoist, lifting gear, accessories and supporting constructions.
- The service intervals and inspections noted are for normal working conditions. Adverse working conditions, e.g. heat or chemical environments, can dictate shorter periods.
- The Yale electric chain hoist CPV/F conform to FEM group 1 Am in accordance with FEM 9.511. This results in a theoretical service lifetime of 800 operating hours under full load.
- This is equivalent to 10 years under normal operating conditions. After this period the hoist requires a general overhaul. Further information is contained in BGV D6 resp. FEM 9.755.

**Attention:** Maintenance work requires subsequent function testing with nominal load.

### 8.1 DAILY CHECKS

1. Visually check the pendant control switch and cable for damage.
2. Function test of brake
3. Function test of end limit switch
4. Electric chain hoists with trolley:
  - Check that the trolley runway is free from obstructions
  - Check that the end stops on the trolley runway are fitted and secure.

Inspection and Maintenance	Initial checks			Periodical checks		
	during commissioning	after 50 operating hours	after 200 operating hours	daily	after 200 operating hours	annually
Lubricate load chain	•	•	•		•	
Pendant control and support wire	•	•		•		
Check oil level	•	•			•	
Function test of brake	•			•		
Function test of end limit switch	•			•		
Function test of overload device	•					•
Electrical installation and power supply	•					•
Check for wear in chain drive		•	•		•	
Inspect chain bolts for cracks		•				•
Inspect suspension bracket and load hook for cracks and deformation		•				•
Check screwed connections for tightness		•				•
Inspect trolley components for cracks and deformation		•				•
Oil change			•			•
Inspect motor and transmission of hoist						•
Inspect motor and transmission of trolley						•
Adjustment of overload device						•
Adjustment of brake						•
Lubricate geared trolley drive						•



# Yale® Electric Chain Hoist CPE/F

## 8.2 REGULAR INSPECTIONS, SERVICE AND TESTING

According to prevailing national/international occupational safety and health regulations, hoisting equipment must be inspected at least annually by a competent person. Adverse working conditions may dictate shorter inspection periods.

The commissioning and inspection details can be noted on the test certificate delivered with the hoist or on page 14 of this manual. Repairs may only be carried out by specialist workshops that use original Yale spare parts. The inspection must determine that all safety devices are present and fully operational and cover the condition of the hoist, lifting gear, accessories and supporting constructions.

If required by the Occupational Health and Safety Organisation, the results of the adequate inspections and competent performance of repairs have to be substantiated. If the electric hoist (with capacity of 1 t and up) is installed in a carriage, or if the load is moved in one or several directions, the installation is considered as crane and inspections have to be carried out in accordance with BGV D6-Cranes.

**Attention! Power supply must be disconnected while inspecting the device, unless the type of the examination excludes this.**

## 8.3 LOAD CHAIN

The load chains are case-hardened and carry the designations 11 x 31 DAT.

The CPE/F electric hoists are specially designed to use this type of chain. For this reason only chains that have been approved by the manufacturer may be used in these hoists.

### Lubricating the load chain

The load chain is to be lubricated before initial operation and every month, however, latest after 50 operating hours. Adverse working conditions, e. g. excessive dust or continued heavy duty can dictate shorter periods between lubrication.

- Before the chain is lubricated it must be cleaned. Flame cleaning is forbidden. Use only cleansing methods and agents that do not corrode the chain material. Avoid cleansing methods that can lead to hydrogen brittleness, e.g. spraying or dipping chain in caustic solvents. Also avoid surface treatments that can hide cracks and flaws or other surface damage.
- The chain must be lubricated in a no-load condition so that lubricant can enter between the links, e. g. by dipping in oil. The chain is to be lubricated throughout its entire length.
- Motor oil of the viscosity 100, e.g. Shell Tonna T68 can be used to lubricate the chain. For very dusty applications use a dry lubricant.

### Inspecting the load chain for wear

Load chains must be inspected every 3 months or the latest after 200 operating hours.

Visually inspect the chain over its full length for deformation, cracks, flaws, elongation, wear or corrosive pitting.

Link chains must be replaced when the nominal thickness  $d$  on any part of the chain has been reduced by more than 10% or when the pitch  $t$  is elongated by more than 5% or over 11 pitches ( $11 \times t$ ) by 2%. Nominal dimensions and wear limits are shown in the following table 2.

Chains that do not fulfil all requirements must be replaced immediately.

Link chains 11 x 31 DAT			
Inspection	Dimension [mm]	Nominal value [mm]	Wear limit
Length over 11 pitches	$11 \times t$	341	347
Length of 1 pitch	$t$	31	32
Diameter	$d$	11,3	
Mean thickness	$\frac{d_1 + d_2}{2}$	11,3	10,2

Tab. 2

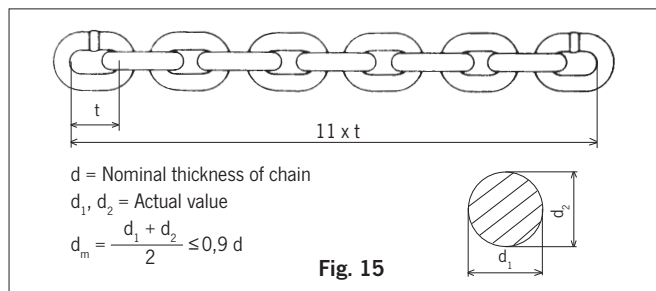


Fig. 15

### Replace the load chain

#### 1-strand design

1. Disassemble bottom block

Remove the circlip with suitable pliers. Raise the swivel tube in the direction of the chain and tap out the chain bolt with a drift.

**Attention:** Do not damage the chain bolt bore.

2. Remove the chain end stop.

Remove the 2 screws. The chain is now free.

3. Fitting the new chain

Cut the second to last link open on the loose end of the load chain to form a "C". Remove the last link and connect the new chain. The new chain must be fitted so that the welds on the standing links face towards the chain guide and away from the load sheave. Operate the hoist in the lowering direction (▼-button) to feed the chain through the hoist.

4. Fitting lower block and chain end stop

Slide the end buffers over the loose ends of the load chain and refit bottom block and chain end stop. The chain end stop must be fitted so that at least 1 link remains free (see Fig. 1).

**Attention:** Use new hexagon locknuts.

5. Before initial operation lubricate the unloaded chain and test all hoist functions under no-load condition.

#### 2-strand design

1. Remove the chain anchor bolt

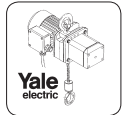
The chain anchor bolt is situated on the underside of the hoist body. With an allen key remove the grub screw that serves as locking device. Tap out the chain anchor bolt with a drift from the other side.

**Attention:** Do not damage anchor bolt or bore.

2. Pull the load chain through the bottom block and remove the chain end stop.

3. Fitting the new chain

Cut the second to last link open on the loose end of the load chain to form a "C". Remove the last link and connect the new chain. The new



chain must be fitted so that the welds on the standing links face towards the chain guide in the housing. Operate the hoist in the lowering direction (▼-button) to feed the chain through the hoist.

#### 4. Replace chain end stop

Slide the buffer pad over the loose end of the load chain and refit the chain end stop ensuring that at least 1 link remains free (see Fig. 1).

#### 5. Fitting the chain anchor bolt

Inspect the chain anchor bolt for flaws, cracks or burrs. Enter the last link of the other load chain end into the slot in the underside of the hoist body.

**Attention:** The chain must not be twisted.

Now enter the chain anchor bolt through the side bore. Move the last link back and forth while entering the chain anchor bolt to ensure that it is not trapped and damaged by the anchor bolt. Secure the anchor bolt with the grub screw.

#### 6. Assemble the bottom block

Check the idler sheave for damage. Position the load chain over the idler sheave ensuring that the welds on the standing links face away. Grease the needle bearings in the bottom block halves. Place the load hook assy in the slot provided in one of the bottom block halves and push the complete unit onto the idler sheave. Ensuring that the buffer pad is situated correctly in its groove replace the second bottom block half and secure with the screws.

#### 7. Functional test

All units with two or more chain strands must be inspected before every operation for twisted or kinked chains. Chains on 2-strand units may become twisted if the bottom block is rolled over. If a strand is twisted disconnect it from the hoist and re-thread it correctly. In some cases it may be necessary to remove the last link.

8. Before initial operation lubricate the unloaded chain and test all hoist functions under a no-load condition.

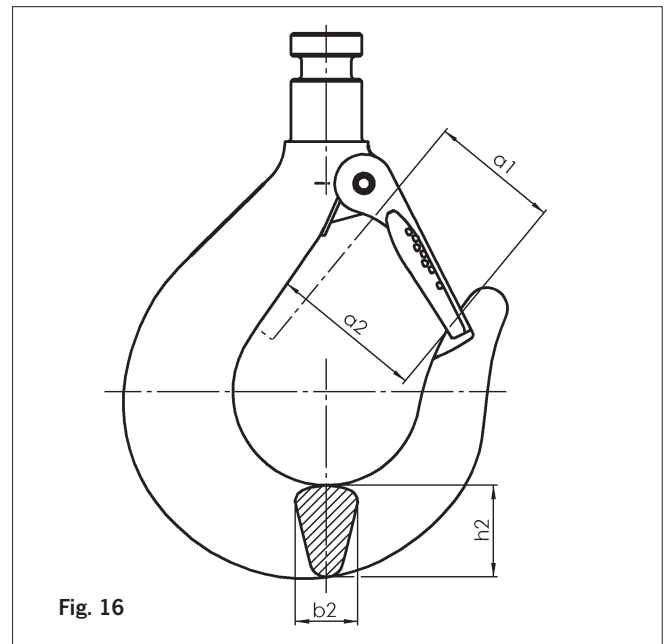


Fig. 16

The axial clearance  $\Delta$  of the load hook in the direction of force in the bottom block and in the cross head assy. (see Fig. 17) has to be determined additionally at every inspection.

If the measurement is larger than 1 mm a special maintenance service is required for the hook head, the balls and the bottom block resp. the cross head assy.

The following lower limits are to be obtained:

Inspection	Dim.	CPE/F 16 / 20 CPE/F 25 / 30	CPE/F 32 / 40 / 50 CPE/F 75 / 100
		min. Dim. in mm	min. Dim. in mm
Diameter of ball		4,75	5,7
Hook head	$\alpha$	6,3	7,9
Bottom block	$\beta$	8	9,2
Axial clearance	$\Delta$	1	1

## 8.4 MAINTENANCE LOAD HOOK

Inspect the hooks for deformation, damage, surface cracks, wear and signs of corrosion as required but at least annually. Adverse working conditions may dictate shorter periods. Hooks that do not fulfil all requirements must be replaced immediately. Welding on hooks to compensate for wear or damage is not permissible.

Hooks must be replaced when the mouth of the hook has opened more than 10% (Fig. 15) or the nominal value of other dimensions has decreased by 5% due to wear. Nominal dimensions and wear limits are shown in the following table.

Inspection	Dim.	CPE/F 16 / 20 CPE/F 25 / 30		CPE/F 32 / 40 / 50 CPE/F 75 / 100	
		nominal value [mm]	min. value [mm]	nominal value [mm]	min. value [mm]
Hook saddle	$b_2$	24	22,8	29,5	28
Hook saddle	$h_2$	35	33,2	44,5	42,3
Hook opening	$a_2$	43	47,3	54	59,4
Hook opening	$a_1$	37	40,7	46	50,6

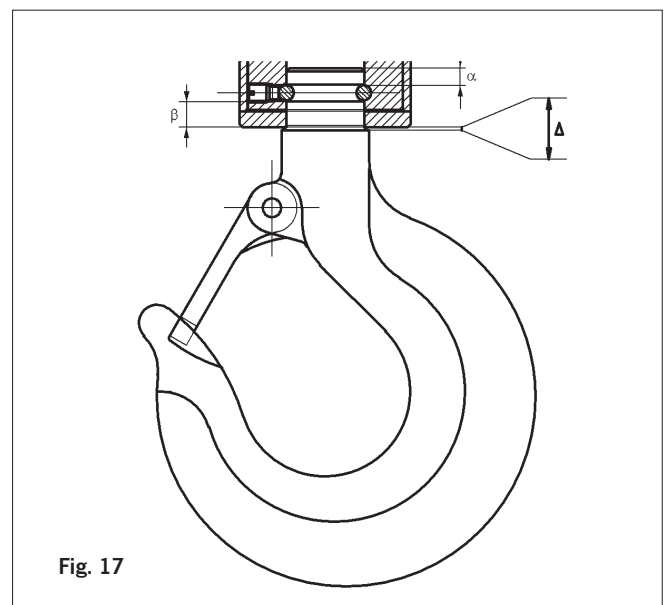
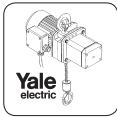


Fig. 17



# Yale® Electric Chain Hoist CPE/F

## 8.5 MAINTENANCE TROLLEYS

In particular check following parts:

- Side plate: For cracks or deformation in particular around the areas of screwed connections.
- Trolley wheels: Visually check for cracks and wear on trolley wheel flanges. Grease the transmission.
- Crossbars: In particular around threaded areas for cracks.
- Fasteners: Check nuts, screws and locking devices for tightness.

## 8.6 MAINTENANCE OF OVERLOAD PROTECTION DEVICE

### Overload protection device

The unit is equipped with an overload protection device as standard. This device is factory set to min. 125% + 10% of the rated capacity and prevents reliably overloading of the hoist during lifting of loads. Adjustment and testing of the overload device may only be carried out by authorized competent persons.

The force-limit factor according EN 14492-2:2006 amounts  $\phi_{DAL} = 1,35$ . The maximum force occurring when the rated capacity limiter operates will be calculated as:

$$F_{LIM} = (\phi_{DAL} \times m_{RC} + m_H - m_{RC}) \times g$$

$$\phi_{DAL} = 1,35$$

$m_{RC}$  = Rated capacity of the hoist [kg]

$m_H$  = Hoist load [kg]

Hoist load  $m_H$ : Load which includes all the masses of a load equal to the rated capacity of the hoist, the hoist medium and the fixed load lifting attachments, e. g. hooks, grabs, magnets, lifting beams, vacuum lifters.

$g$  = Acceleration due to gravity (9,81) [m/s<sup>2</sup>]

### Adjustment of overload device (Fig. 26)

**Attention:** The adjustment of the overload device may only be done by authorized, competent personnel.

**Attention:** During this job the hoist remains operable which can result in danger of injury by rotating parts.

- Loosen the 4 screws (52) of the gear box cover (51).
- Loosen the threaded pin (47) which is pressing the ball (46) on the cover to lock the straining screw (42).
- Check the adjustment with a suitable load (min. 125% of the rated capacity).
- Increase the moment of friction by turning the straining screw (42) in clockwise direction until the load is raised.

**Attention:** The max. operating time of the overload device is 60 seconds. Thereafter the unit has to cool down to room temperature (min. 20 minutes).

- Screw in the threaded pin (47) (secured with Loctite® 243)
- Screw on the gear box cover (51) with the cylinder screws (52).

## 8.7 MAINTENANCE OF GEARBOX

The gearbox is practically maintenance-free. Service is therefore reduced to changing the oil.

### Oil change

The gearbox oil should be changed after every 5 years, however, latest after 400 operating hours (oil volume: ca. 0,3 Litre).

**Attention:** During oil change the electric power supply must be shut off.

Disassemble the gear cover (item 51) by removing the cylinder screws (item 52). and unscrew the screw plug (item 44). Place the hoist horizontally and turn so that the oil can drain from the fill hole into a suitable container (approx. 30 minutes).

Replenish the gearbox oil. We recommend a mineral oil viscosity class ISO-VG 460, e. g. FINA GIRAN L 460. Finally re-adjust the overload protection device.

### Disassemble/Assemble The Gearbox

**Attention:** The gearbox has oil lubrication

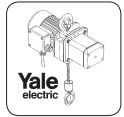
#### Disassembling

1. Pull the coupling (50) off the gear shaft (35). Loosen screws (52) and remove gearbox cover (51).
2. Remove screw plug (44) and seal (45).
3. Place gearbox upside down and drain oil from the fill hole into a suitable container.
4. Loosen threaded pin (47), remove ball (46) and unscrew fixing screw (42).
5. Remove cup springs (41).
6. Loosen locking screw (38) and remove locking bolt (39).
7. Loosen snap ring (37), remove bearing plate (33) and ball bearing (36). Remove snap ring (34) and press ball bearing (36) out of bearing plate (33). Remove snap ring (37) from gear shaft (35).
8. Remove friction discs (28) and ring gear (29).
9. Remove planet gears (32), needle bearings (31), stop washers (30) as well as planet gear carrier assy (27) and pinion (26). Pull out gear shaft (35).
10. Remove threaded pin (17).
11. Press out remaining gears in the housing (1) in direction of the flange. Light blows with a rubber hammer in axial direction onto the rim of the housing (flange side) may be helpful to loosen the bearing race (15).
12. Remove planet gears (25), needle bearings (24) and stop washers (23) from planet gear carrier (22).
13. Pull planet gear carrier (22) and pinion (21) out of planet gear carrier (3).
14. Remove ball bearing (20) and bearing race (15) from planet gear carrier (3).
15. Remove snap ring (11) from planet gear carrier (3) and press out planet gear shaft (10).
16. Remove planet gears (7), needle bearings (8), stop washers (6) and spacer rings (9).
17. Remove bearing (5) and packing rings (4).

After cleaning, inspection and replacement of all worn parts re-assembly can be started.

Parts subject to wear are:

Stop washers (6, 23, 30), needle bearings (8, 24, 31), O-rings and packing rings (4, 16, 18, 43) as well as the seal (45).



## Reassemble the gearbox

Reassemble the gearbox in the reverse order strictly in accordance with the sectional drawing.

Special care should be taken for clean and correct installation of planet gears (7) with needle bearings (8) in equal sorting and stop washers (6) as well as spacer rings (9) in the planet gear carrier (3).

The friction discs (28) on either side of the ring gear (29) must be installed oil-soaked (leave in oil for 1 hour before installation).

The exact adjustment of the overload device is only possible when the hoist is completely reassembled. Preadjustment of the cup spring (41) is made with the fixing screw (42).

After the exact adjustment has been made, the fixing screw (42) is secured by means of the ball (46) and the threaded pin (47).

**The gear box is to be filled with approx. 0,3 Litre gearbox oil (CLP 460, DIN 51547)**

Afterwards the fill hole can be closed with the screw plug (44) and the seal (45).

5. Evenly tighten the binding screws B14. Please tighten first screw placed opposite of the fitting key (for the permissible torque consult the table below).
6. Tighten screw B31 once more.
7. Remove spacer blocks B40.
8. Put on fan guard M14.
9. Make a test run for checking the brake function.

**Attention: Do not allow the brake friction pads to come into contact with lubricant or similar!**

## 8.8 MOTOR

### Motor

Under normal conditions the motor is practically maintenance-free. Every 2 ½ years the bearings are to be inspected, cleaned and repacked half-full with grease. We recommend K 3 N / KL 3 N DIN 51825 / DIN 51502.

### Disc brake (Fig. 18)

Service to the disc brake is reduced to checking and adjusting the brake air gap. The disc brake air gap should be between 0,25 and 0,6 mm. This guarantees a short reaction time and low noise emission.

When the wear and tear of the brake lining comes down to the point where the max. possible air gap has finally been reached, it is indispensable to carry out a re-adjustment of the brake:

1. Remove fan guard M14.
2. Loosen binding screws B14.
3. Remove O-ring B62, insert spacer blocks B40 between armature disc B42 und adhesive plate B16 (thickness of the spacer blocks is to be found in the table below).
4. Tighten screws B31, or - in case of two shaft extensions - nut B35 to an extent as to permit the removal of the spacer blocks B40.

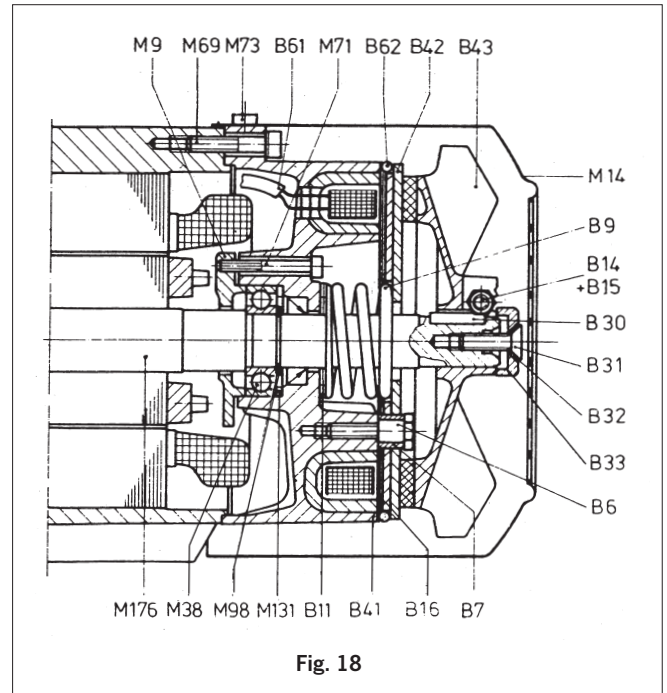


Fig. 18

## 8.9 ELECTRIC CHAIN HOIST IN GENERAL

In particular check following parts:

- Threaded connections in general  
Check all nuts, screws and locking devices for tightness.
- Chain container  
Ensure the chain container is securely fastened. Check for cracks or wear.
- Suspension bolt  
(Connection between hoist and suspension bracket resp. trolley)  
Check for cracks or wear. Ensure all safety devices are in place and secure.

1	2	3	4	5	6	7	8	9	10	11
Type	Nominal brake torque	Fan B43 with brake lining	Spacer block mm	Air gap max. mm	Pressure spring B9 colour	Tightening torque for B14	Tightening torque for B6	Adhesive plate B16	Threaded pin B71	Quantity of fitting plate B11
EBF	20,2 Nm	WS 5907	0,25 - 0,3	0,6	no colour	7 - 9 Nm	7 + 0,5 Nm	no	M 5 x 80	0





# Yale® Electric Chain Hoist CPE/F

## Inspection Chart

Inspection before initial operation: \_\_\_\_\_

by: \_\_\_\_\_

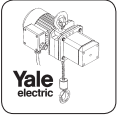
Date of initial operation: \_\_\_\_\_

### Regular Inspections

Date	Findings	Repair	Date	Test by *

\* competent person

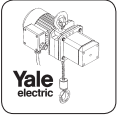
# Yale® Electric Chain Hoist CPE/F





## Yale® Electric Chain Hoist CPE/F

# Yale® Electric Chain Hoist CPE/F





# Yale® Electric Chain Hoist CPE/F

Translation of the original

**EC DECLARATION OF CONFORMITY**  
in accordance with Machinery Directive 2006/42/EC (Appendix II A)

We,

**COLUMBUS McKINNON Industrial Products GmbH**  
D-42329 Wuppertal, Yale-Allee 30

hereby declare, that the design, construction and commercialized execution of the below mentioned machine complies with the essential health and safety requirements of the EC Machinery Directive. The validity of this declaration will cease in case of any modification or supplement not being agreed with us previously.

Furthermore, validity of this declaration will cease in case that the machine will not be operated correctly and in accordance with the operating instructions and/or not be inspected regularly.

<b>Machine description:</b>	Electric chain hoist CPE /F Mod. CPE/F 16-8, Mod. CPE/F 20-8, Mod. CPE/F 25-5, Mod. CPE/F 30-5, Mod. CPE/F 32-4, Mod. CPE/F 40-4, Mod. CPE/F 50-2, Mod. CPE/F 75-1,6, Mod. CPE/F 100-2 Capacity 1.600 - 10.000 kg
<b>Machine type:</b>	Electric chain hoist
<b>Serial number:</b>	Serial numbers for the individual units are recorded
<b>Relevant EC Directives:</b>	EC Machinery Directive 2006/42/EC Directive for electrical equipment 2006/95/EC ROHS directive 2002/95/EC WEEE directive 2002/96/EC EMV directive 2004/108/EC
<b>Transposed harmonised standards in particular:</b>	ISO 12100:2010 EN 349:1993+A1:2008 EN 818-1:1996+A1:2008 EN 818-7:2002+A1:2008 EN 14492-2:2008 EN 60204-32:1999 EN 61000-6-2:2005
<b>Transposed (either complete or in extracts) national standards and technical specifications in particular:</b>	DIN 15018-1:1984, DIN 15400:1990, DIN 15404-1:1989 BGV D6, BGV D8
<b>Quality assurance:</b>	EN ISO 9001:2008
<b>Authorised representative for technical data:</b>	COLUMBUS McKINNON Industrial Products GmbH Yale-Allee 30 - D-42329 Wuppertal, Germany





## Original EG-Konformitätserklärung gemäß EG-Richtlinie Maschinen 2006/42/EG (Anhang II A)

Hiermit erklären wir,

**COLUMBUS McKINNON Industrial Products GmbH**  
**D-42329 Wuppertal, Yale-Allee 30**

dass die nachstehend bezeichnete Maschine in ihrer Konzipierung und Bauart sowie in der von uns in Verkehr gebrachten Ausführung den einschlägigen grundlegenden Sicherheits- und Gesundheitsanforderungen der EG-Richtlinie Maschinen entspricht. Bei einer nicht mit uns abgestimmten Änderung/Ergänzung der Maschine verliert diese EG-Konformitätserklärung ihre Gültigkeit. Weiterhin verliert diese EG-Konformitätserklärung ihre Gültigkeit, wenn die Maschine nicht entsprechend den in der Betriebsanleitung aufgezeigten bestimmungsgemäßen Einsatzfällen eingesetzt und die regelmäßig durchzuführenden Überprüfungen nicht ausgeführt werden.

<b>Bezeichnung der Maschine:</b>	Elektrokettenzug CPE /F Mod. CPE/F 16-8, Mod. CPE/F 20-8, Mod. CPE/F 25-5, Mod. CPE/F 30-5, Mod. CPE/F 32-4, Mod. CPE/F 40-4, Mod. CPE/F 50-2, Mod. CPE/F 75-1,6, Mod. CPE/F 100-2 Tragfähigkeit 1.600 - 10.000 kg
<b>Maschinentyp:</b>	Elektrokettenzug
<b>Seriennummer:</b>	Seriennummern für die einzelnen Geräte werden archiviert
<b>Einschlägige EG-Richtlinien:</b>	EG-Richtlinie Maschinen 2006/42/EG Niederspannungsrichtlinie 2006/95/EG ROHS-Richtlinie 2002/95/EG WEEE-Richtlinie 2002/96/EG EMV-Richtlinie 2004/108/EG
<b>Angewandte harmonisierte Normen insbesondere:</b>	ISO 12100:2010 EN 349:1993+A1:2008 EN 818-1:1996+A1:2008 EN 818-7:2002+A1:2008 EN 14492-2:2008 EN 60204-32:1999 EN 61000-6-2:2005
<b>Vollständig bzw. auszugsweise angewendete nationale Normen und technische Spezifikationen insbesondere:</b>	DIN 15018-1:1984, DIN 15400:1990, DIN 15404-1:1989 BGV D6, BGV D8
<b>Qualitätssicherung:</b>	EN ISO 9001:2008
<b>Dokumentationsbevollmächtigter:</b>	COLUMBUS McKINNON Industrial Products GmbH Yale-Allee 30 - D-42329 Wuppertal, Germany

**Datum / Hersteller-Unterschrift:**

10.01.2014

**Angaben zum Unterzeichner:**

Dipl.-Ing. Andreas Oelmann  
Leiter Qualitätssicherung

## Germany

**COLUMBUS McKINNON  
Industrial Products GmbH\***  
Yale-Allee 30  
42329 Wuppertal  
Phone: 00 49 (0) 202/693 59-0  
Web Site: www.cmco.eu  
Web Site: www.yale.de  
E-mail: info.wuppertal@cmco.eu

**COLUMBUS McKINNON  
Engineered Products GmbH\***  
Am Silberpark 2-8  
86438 Kissing  
Phone: 00 49 (0) 8233 2121-800  
Web Site: www.cmco.eu  
Web Site: www.pfaff-silberblau.com  
E-Mail: info.kissing@cmco.eu

## France

**COLUMBUS McKINNON France SARL\***  
Zone Industrielle des Forges  
18108 Vierzon Cedex  
Phone: 00 33 (0) 248/71 85 70  
Fax: 00 33 (0) 248/75 30 55  
Web Site: www.cmco-france.com  
E-mail: sales.fr@cmco.eu

## United Kingdom

**COLUMBUS McKINNON Corporation Ltd.**  
Knutsford Way, Sealand Industrial Estate  
Chester CH1 4NZ  
Phone: 00 44 (0) 1244 375375  
Fax: 00 44 (0) 1244 377403  
Web Site: www.cmco.eu  
E-mail: sales.uk@cmco.eu

## Italy

**COLUMBUS McKINNON Italia S.r.l.**  
Via P. Picasso, 32  
20025 Legnano (MI)  
Phone: 00 39 (0) 331/57 63 29  
Fax: 00 39 (0) 331/46 82 62  
Web Site: www.cmco.eu  
E-mail: sales.it@cmco.eu

## Netherlands

**COLUMBUS McKINNON Benelux B.V.\***  
Grotenoord 30  
3341 LT Hendrik Ido Ambacht  
Phone: 00 31 (0) 78/6 82 59 67  
Fax: 00 31 (0) 78/6 82 59 74  
Web Site: www.cmco.eu  
E-mail: sales.nl@cmco.eu

## Northern Ireland & Republic of Ireland

**COLUMBUS McKINNON Corporation Ltd.**  
1A Ferguson Centre  
57-59 Manse Road  
Newtownabbey BT36 6RW  
Northern Ireland  
Phone: 00 44 (0) 2890 840697  
Fax: 00 44 (0) 2890 343673  
Web Site: www.cmco.eu  
E-mail: sales.ni@cmco.eu

## Austria

**COLUMBUS McKINNON Austria GmbH\***  
Gewerbepark, Wiener Straße 132a  
2511 Pfaffstätten  
Phone: 00 43 (0) 22 52/4 60 66-0  
Fax: 00 43 (0) 22 52/4 60 66-22  
Web Site: www.cmco.at  
E-mail: zentrale@cmco.at

## Poland

**COLUMBUS McKINNON Polska Sp. z o.o.**  
ul. Owsiana 14  
62-064 PLEWISKA  
Phone: 00 48 (0) 61 6 56 66 22  
Fax: 00 48 (0) 61 6 56 66 88  
Web Site: www.pfaff.info.pl  
E-Mail: kontakt@pfaff-silberblau.pl

## Russia

**COLUMBUS McKINNON Russia LLC**  
ul. Marshala Govorova 35/2  
198095 St. Petersburg  
Phone: 007 (812) 322 68 38  
Fax: 007 (812) 322 68 38  
Web Site: www.cmco.ru  
E-mail: info@cmco.ru

## Switzerland

**COLUMBUS McKINNON Switzerland AG**  
Dällikerstraße 25  
8107 Buchs ZH  
Phone: 00 41 (0) 44 8 51 55 77  
Fax: 00 41 (0) 44 8 51 55 88  
Web Site: www.cmco.ch  
E-mail: info.buchs@cmco.eu

## Spain & Portugal

**COLUMBUS McKINNON Ibérica S.L.U.**  
Ctra. de la Esclusa, 21 acc. A  
41011 Sevilla  
Phone: 00 34 954 29 89 40  
Fax: 00 34 954 29 89 42  
Web Site: www.yaleiberica.com  
E-mail: informacion@cmco.eu

## South Africa

**CMCO Material Handling (Pty) Ltd.\***  
P.O. Box 15557  
Westmead, 3608  
Phone: 00 27 (0) 31/700 43 88  
Fax: 00 27 (0) 31/700 45 12  
Web Site: www.yale.co.za  
E-mail: sales@cmcosa.co.za

## Yale Engineering Products (Pty) Ltd.

12 Laser Park Square, 34 Zeiss Rd.  
Laser Park Industrial Area, Honeydew  
Phone: 00 27 (0) 11/794 29 10  
Fax: 00 27 (0) 11/794 35 60  
Web Site: www.yalejhb.co.za  
E-mail: info@yalejhb.co.za

## Yale Lifting Solutions (Pty) Ltd.

P.O. Box 592  
Magaliesburg, 1791  
Phone: 00 27 (0) 14/577 26 07  
Fax: 00 27 (0) 14/577 35 34  
Web Site: www.yale.co.za  
E-mail: sales@yalelift.co.za

## Turkey

**COLUMBUS McKINNON  
Kaldırma Ekip. San. ve Tic. Ltd. Şti.**  
Davutpaşa Caddesi Emintaş  
Davutpaşa Matbaacılar Sitesi No. 103/233-234  
34010. Topkapı-Istanbul  
Phone: 00 90 (212) 210 7 555  
Fax: 00 90 (212) 220 7 505  
Web Site: www.cmco.eu  
E-mail: info.turkey@cmco.eu

## Hungary

**COLUMBUS McKINNON Hungary Kft.**  
Vásárhelyi út 5. VI ép  
8000 Székesfehérvár  
Phone: 00 36 22 880 540  
Fax: 00 36 22 880 503  
Web Site: www.cmco.eu  
E-mail: info@cmco-hungary.com

## United Arab Emirates

**COLUMBUS McKINNON  
Industrial Products ME FZE**  
Warehouse No. FZSBD01  
P.O. Box 261013  
Jebel Ali Free Zone, Dubai, U.A.E.  
Phone: 00 971 4 8807772  
Fax: 00 971 4 8807773  
Web Site: www.cmco.eu  
E-mail: sales.uae@cmco.eu



\*Diese Niederlassungen gehören der Matrix-Zertifizierung nach EN ISO 9001:ff an.  
\*These subsidiaries belong to the matrix-certification-system according to EN ISO 9001:ff.