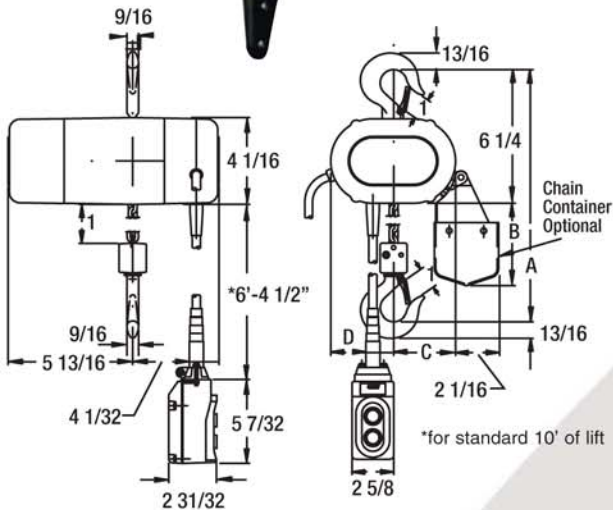


# Shophoist



- Easy installation and maintenance
- Standard protector overload device
- 10-pocket, oblique lay liftwheel for smooth chain operation, constant chain speed and reduced chain wear
- NEMA 4, industrial-rated control station
- Gear train lifetime lubricated with non-oxidizing grease
- Alloy load chain for smooth operation and maximum chain life
- Thermally-protected hoist duty motor
- Dual brake system - D.C. plus regenerative
- Rugged cast aluminum alloy hoist frame
- Small, compact design for commercial applications
- Totally enclosed, non-ventilated hoist frame protects the motor from environmental contamination
- Optional impact-resistant chain container is available
- Rigid latch style upper hook prevents tangling of power cord
- Precision bearings used throughout the hoist
- Hardened forged steel latch-style lower hook rotates 360°
- True vertical lift
- Lifetime Warranty

## Specifications & Dimensions

Capacity lbs.	Lift Speed FPM	Motor H.P.	Reeving	Hoist Catalog Number				Lift ft.	A in	B in	C in	D in	Shipping Weight lbs.
				*115-1-60	115-1-60	230-3-60	460-3-60						
250	16	1/6	single	931770	-	-	-	10	11-1/16	3-7/8	2-15/16	3	26
	16		single	-	931769	931771	931772						28
	24		single	-	-	931774	931775						28
	40		single	-	-	931777	931778						28
300	16	1/6	single	931781	-	-	-	10	11-1/16	3-7/8	2-15/16	3	26
	16		single	-	931780	931783	931784						28
	24		single	-	-	931786	931787						28
	40		single	-	-	931806	931807						28
500	8	1/6	double	931843	-	-	-	10	12-1/8	5-3/4	2-3/8	3-9/16	32
	8		double	-	931842	931844	931845		12-1/8	5-3/4	2-3/8	3-9/16	34
	12		single	931838	-	-	-		11-1/16	3-7/8	2-15/16	3	26
	12		single	-	931837	931839	931840		11-1/16	3-7/8	2-15/16	3	28
	20		double	-	-	931847	931848		12-1/8	5-3/4	2-3/8	3-9/16	34
	24		single	-	-	931862	931863		11-1/16	3-7/8	2-15/16	3	28
600	8	1/6	double	931791	-	-	-	10	12-1/8	5-3/4	2-3/8	3-9/16	34
	8		double	-	931790	931793	931794						34
	12		double	-	-	931796	931797						34
	20		double	-	-	931880	931881						34
1000	6	1/6	double	931866	-	-	-	10	12-1/8	5-3/4	2-3/8	3-9/16	34
	6		double	-	931865	931867	931868						34
	8		double	-	-	931870	931871						32
	12		double	-	-	931873	931874						32

\* Contractor in PB station